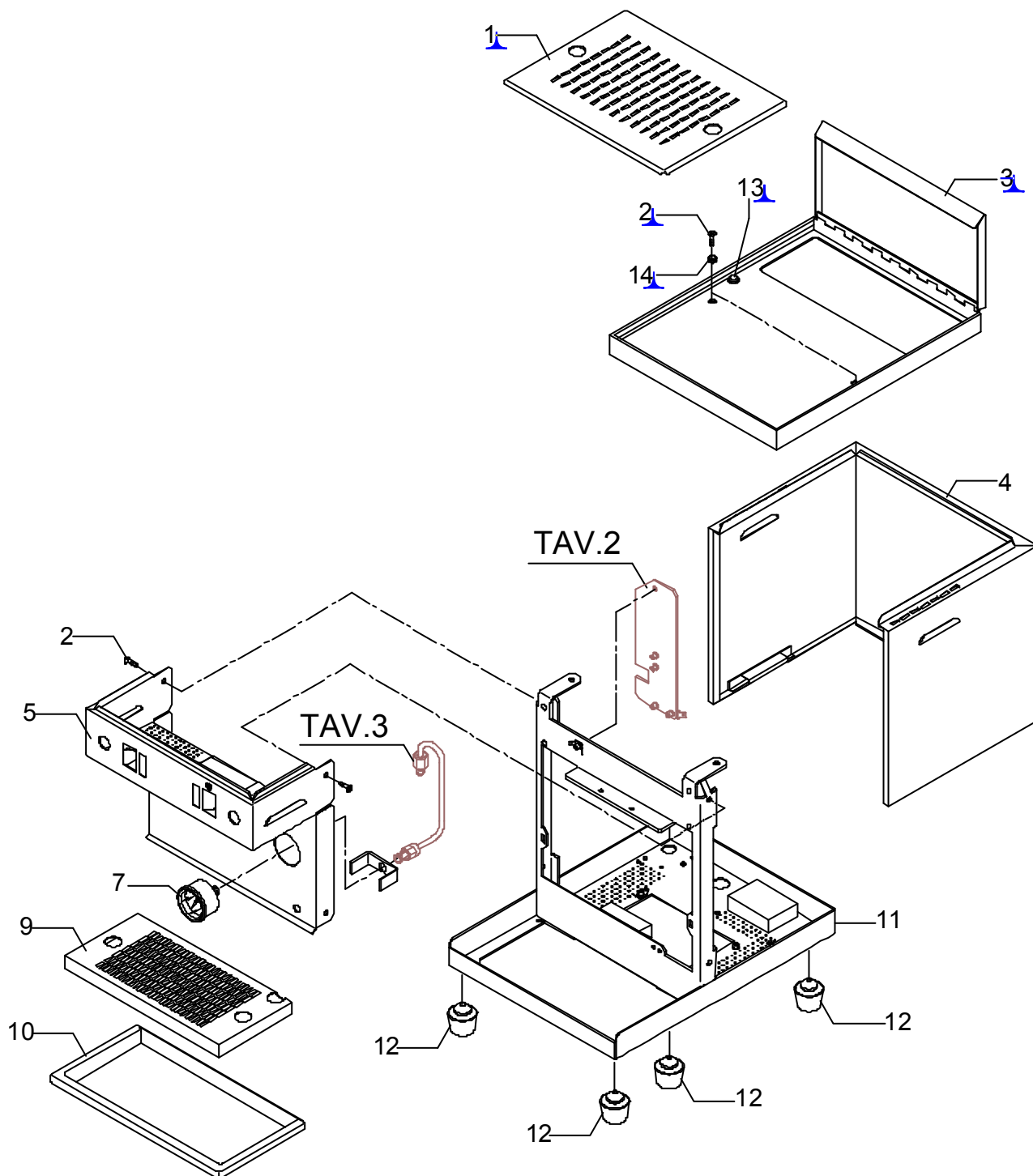


LIVIA90S

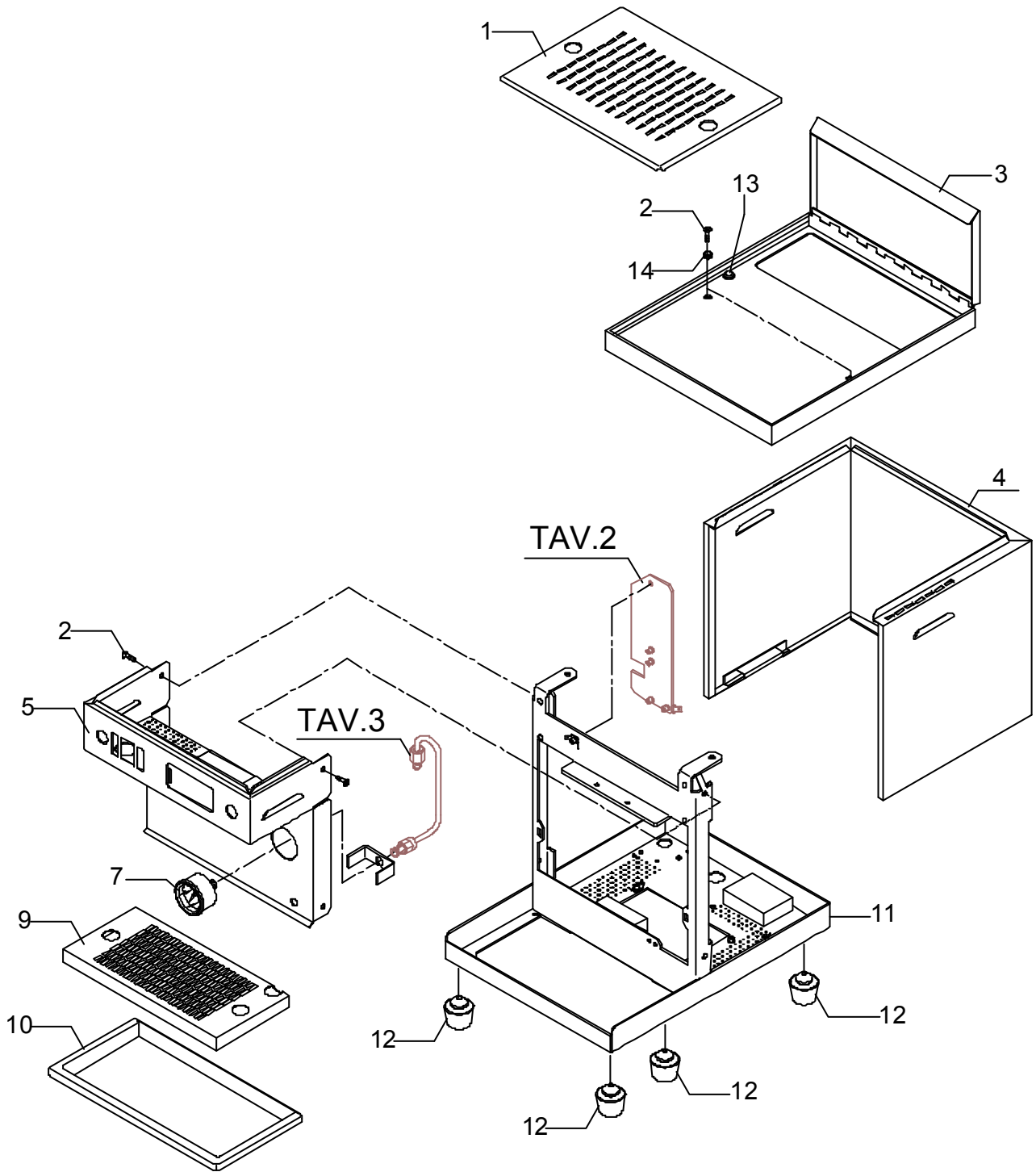
Tav. 01

POS	DESCRIPTION	CODE	REFERENCE
1	CUPS-HEATER GRID (FROM 01/2001)	5074579LW	-
1	CUPS-HEATER GRID	5074570LW	-
2	SCREW TPS M4 X 16	7817801	-
3	ASSEMBLY CUPS-HEATER (FROM 01/2001)	5961553	-
4	ASSEMBLY BODY STAINLESS STEEL POLISHED	5344015.01	-
4	ASSEMBLY BODY STAINLESS STEEL POLISHED (PASQUINI)	5344015.01SG	-
5	FRONTAL PANEL WITH PRESSURE GAUGE	5344017.01SG1	-
5	FRONTAL PANEL WITH PRESSURE GAUGE (PASQUINI)	5344017.01SG	-
7	PRESSURE GAUGE D41 0-2.5 BAR PAINTED	7432501	-
9	DRIP TRAY GRID	5074571LW	-
9	DRIP TRAY GRID	5074587LW	-
10	DRIP TRAY ABS	7373002	-
10	DRIP TRAY	5070644DL	-
11	ASSEMBLY CHASSIS BLACK SEMIPOLISHED RAL 9005 (UP TO 04.03.2006)	5344013	-
11	ASSEMBLY CHASSIS BLACK SEMIPOLISHED RAL 9005 (FROM 05.03.2006)	5344013.01	-
12	RUBBER FEET (UP TO 04.03.2006)	7474202	-
12	FEET (FROM 05.03.2006)	7474216	-
13	ADHESIVE RUBBER TOP	7999904	-
14	WASHER FOR SPRING D4 H3 OT NICKEL-PLATED	5221846	-



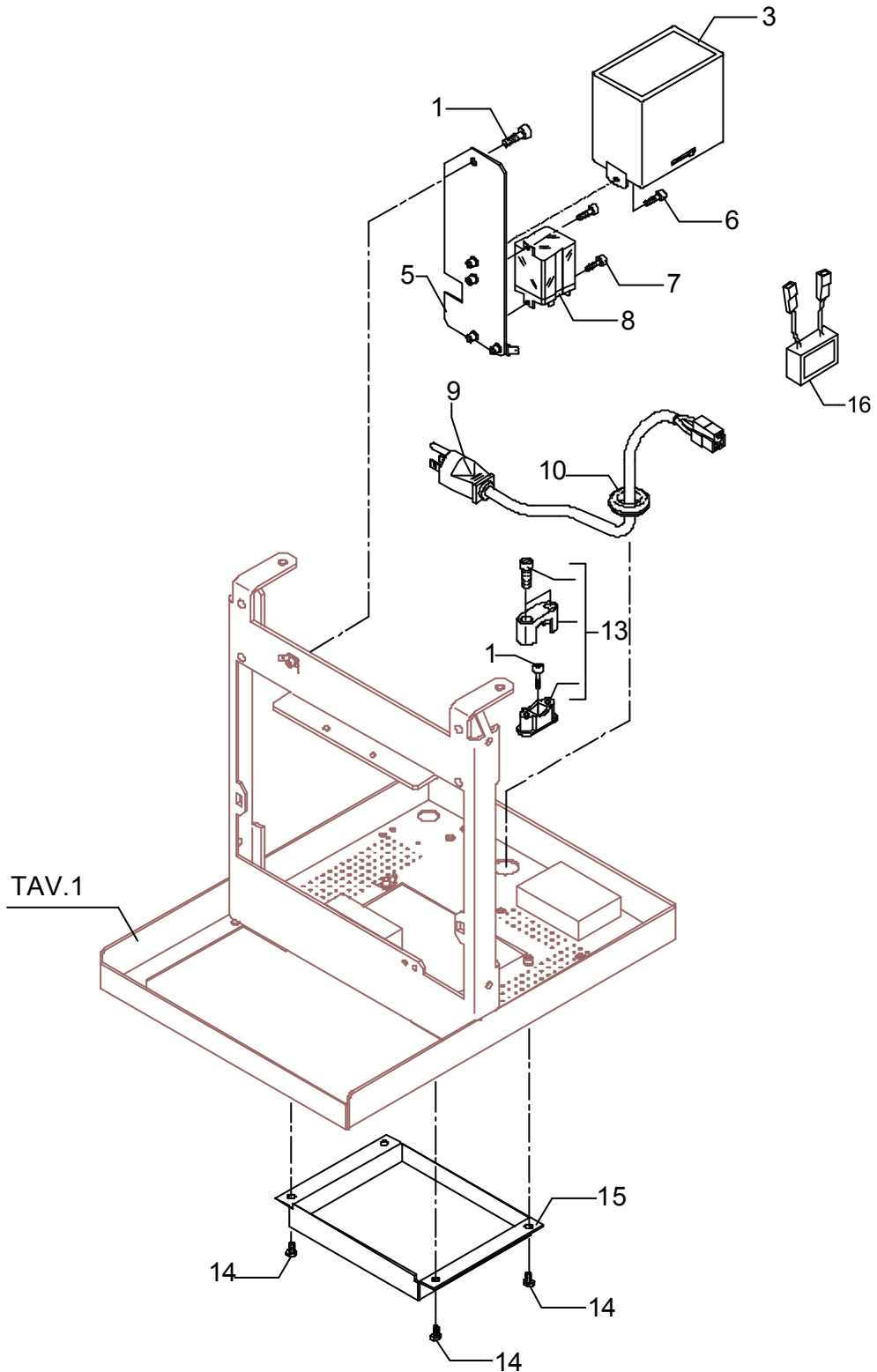
Tav. 01E

POS	DESCRIPTION	CODE	REFERENCE
1	CUPS-HEATER GRID (FROM 01/2001)	5074579LW	-
1	CUPS-HEATER GRID	5074570LW	-
2	SCREW TPS M4 X 16	7817801	-
3	ASSEMBLY CUPS-HEATER (FROM 01/2001)	5961553	-
4	ASSEMBLY BODY STAINLESS STEEL POLISHED	5344015.01	-
4	ASSEMBLY BODY STAINLESS STEEL POLISHED (PASQUINI)	5344015.01SG	-
5	DIAPHRAGM FRONTAL PANEL WITH PRESSURE GAUGE	5344018.01SG	-
7	PRESSURE GAUGE D41 0-2.5 BAR PAINTED	7432501	-
9	DRIP TRAY GRID	5074571LW	-
9	DRIP TRAY GRID	5074587LW	-
10	DRIP TRAY ABS	7373002	-
10	DRIP TRAY	5070644DL	-
11	ASSEMBLY CHASSIS BLACK SEMIPOLISHED RAL 9005 (UPTO 04.03.2006)	5344013	-
11	ASSEMBLY CHASSIS BLACK SEMIPOLISHED RAL 9005 (FROM 05.03.2006)	5344013.01	-
12	RUBBER FEET (UP TO 04.03.2006)	7474202	-
12	FEET (FROM 05.03.2006)	7474216	-
13	ADHESIVE RUBBER TOP	7999904	-
14	WASHER FOR SPRING D4 H3 OT NICKEL-PLATED	5221846	-



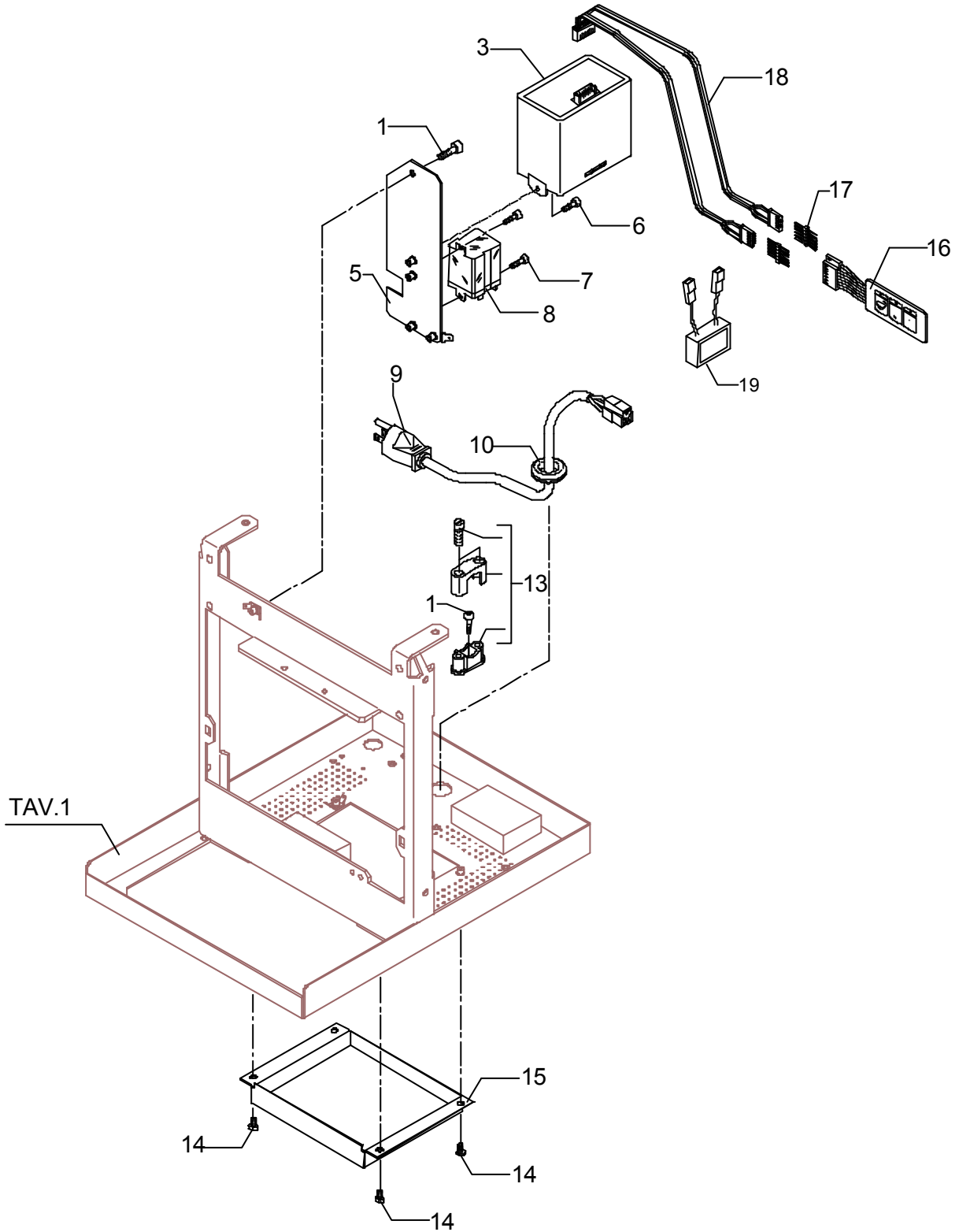
Tav. 02

POS	DESCRIPTION	CODE	REFERENCE
1	SCREW TCEI M4X12	7816002	-
3	LEVEL REGULATOR 3 PROBES 110/120V	7661033.01	-
3	LEVEL REGULATOR 3 PROBES 220/230V	7661034.01	-
3	LEVEL REGULATOR 3 PROBES 240V	7661035.01	-
5	ELECTRIC PARTS SUPPORT PLATE	5055706LL	-
6	SCREW TCEI M4X16	7816004	-
7	SCREW TCEI M4X6	7816017	-
8	RELAY 16A 110V 2 CONTACTS FASTON (FROM 15/01/04)	7635418	-
8	RELAY 16A 220/230V 2 CONTACTS FASTON (FROM 15/01/04)	7635419	-
8	RELAY 16A 240V 2 CONTACTS FASTON (FROM 15/01/04)	7635420	-
8	RELAY 30A 110V (UP TO 14/01/04)	7635403	-
8	RELAY 30A 220/230V (UP TO 14/01/04)	7635410	-
8	RELAY 30A 240V (UP TO 14/01/04)	7635401	-
9	CABLE WITH AUSTRALIAN PLUG	7552001	-
9	CABLE WITH SHUKO PLUG	7555001	-
9	CABLE WITH USA PLUG 125V 15A	7551001	-
9	CABLE WITH USA PLUG 250V 20A	7551003	-
9	CABLE WITH ENGLISH PLUG	7554001	-
10	FAIRLEAD WITH HOLE RUBBER	7613004	-
13	CABLE-PRESS	7614005	-
14	SCREW TCEI M4X16	7816004	-
15	HEATING ELEMENT PROTECTION	5373102.01	-
16	FILTER RC	7663005R	-



Tav. 02E

POS	DESCRIPTION	CODE	REFERENCE
1	SCREW TCEI M4X12	7816002	-
3	DOSAGE 3S 110V	7662650.01	-
3	DOSAGE 3S 220/230V	7662651.01	-
3	DOSAGE 3S 240V	7662652.01	-
5	ELECTRIC PARTS SUPPORT PLATE	5055706LL	-
6	SCREW TCEI M4X16	7816004	-
7	SCREW TCEI M4X6	7816017	-
8	RELAY 16A 110V 2 CONTACTS FASTON (FROM 15/01/04)	7635418	-
8	RELAY 16A 220/230V 2 CONTACTS FASTON (FROM 15/01/04)	7635419	-
8	RELAY 16A 240V 2 CONTACTS FASTON (FROM 15/01/04)	7635420	-
8	RELAY 30A 110V (UP TO 14/01/04)	7635403	-
8	RELAY 30A 220/230V (UP TO 14/01/04)	7635410	-
8	RELAY 30A 240V (UP TO 14/01/04)	7635401	-
9	CABLE WITH AUSTRALIAN PLUG	7552001	-
9	CABLE WITH SHUKO PLUG	7555001	-
9	CABLE WITH USA PLUG 125V 15A	7551001	-
9	CABLE WITH USA PLUG 250V 20A	7551003	-
9	CABLE WITH ENGLISH PLUG	7554001	-
10	FAIRLEAD WITH HOLE RUBBER	7613004	-
13	CABLE-PRESS	7614005	-
14	SCREW TCEI M4X16	7816004	-
15	HEATING ELEMENT PROTECTION	5373102.01	-
16	MEMBRANE WHITE PUSH BUTTON	5660518	-
17	STRIP-LINE 7 POLES	7636603	-
18	CONNECTING CABLE L=380MM	7663558	-
19	FILTER RC	7663005R	-

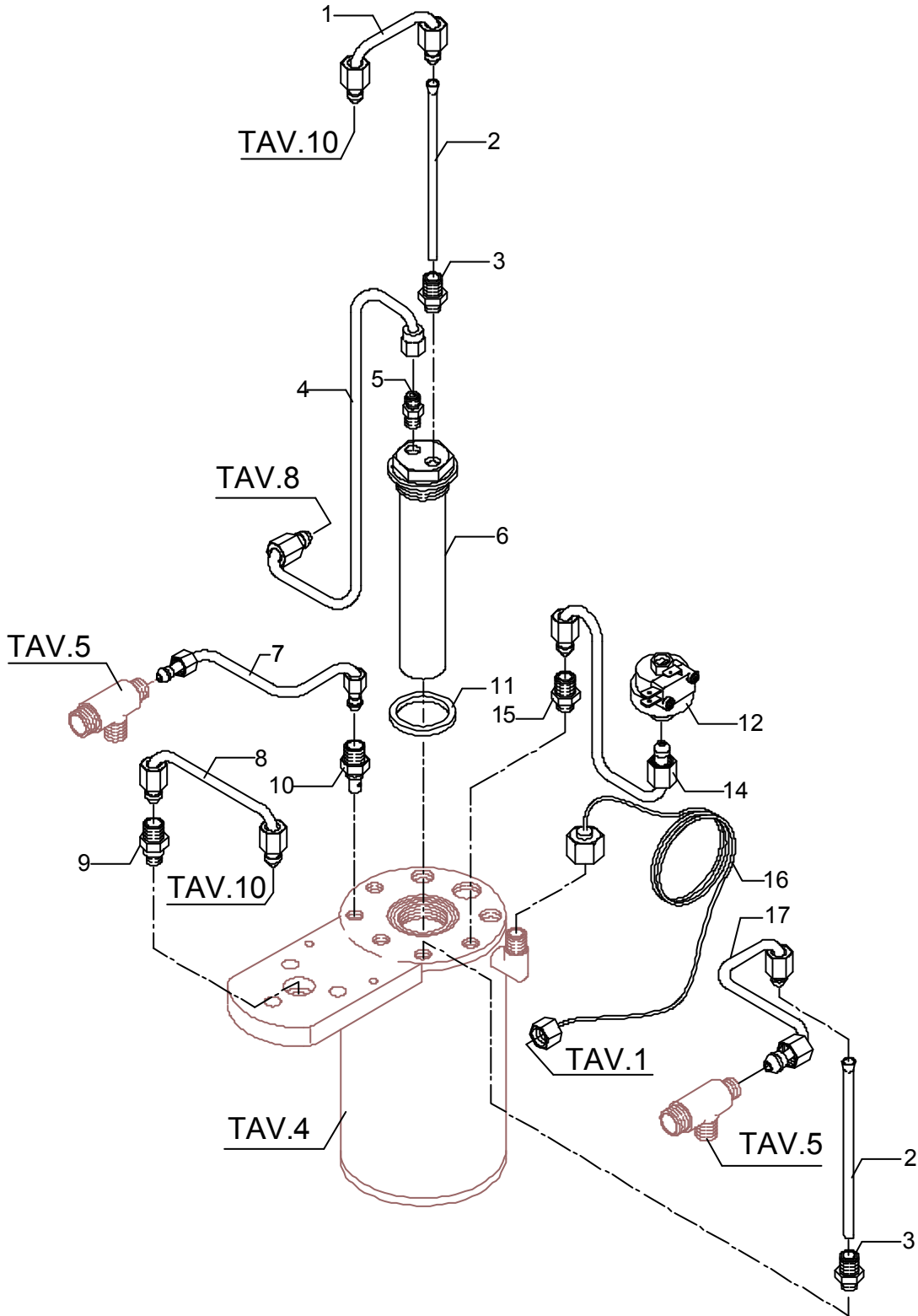


Tav. 03 (up to 10.01.06)

POS	DESCRIPTION	CODE	REFERENCE
1	EXCHANGER-GROUP SOLENOID VALVE HOSE	5162185LL	-
2	SUCTION HOSE D6 L=130MM PTFE	5192301	-
3	STRAIGHT FITTING 1/8"G X M12 OT	5302006	-
4	EXCHANGER- SURPRESSION VALVE HOSE	5162184LL	-
5	STRAIGHT FITTING 1/8"G OT	7304502	-
6	ASSEMBLY EXCHANGER HOSE POLISHED	5329005.01BL	-
7	STEAM TAP HOSE	5162057LL	-
8	HOSE FOR SOLENOID VALVE OF GROUP	5162056LL	-
9	STRAIGHT FITTING M12 X 1/8"G OT H23	5302003	-
10	STRAIGHT FITTING M12 X 1/8"G OT H33	5302007	-
11	GASKET D32 X 3 BRASS	5495007	-
12	PRESSOSTAT 1/4"G 1,2 BAR 21A	7433008	-
14	PRESSOSTAT HOSE	5162152LL	-
15	STRAIGHT FITTING 1/8"G X M12 OT	5302004	-
16	CAPILLARY 1/8" M12X1	7400901	-
17	WATER TAP HOSE	5162055LL	-

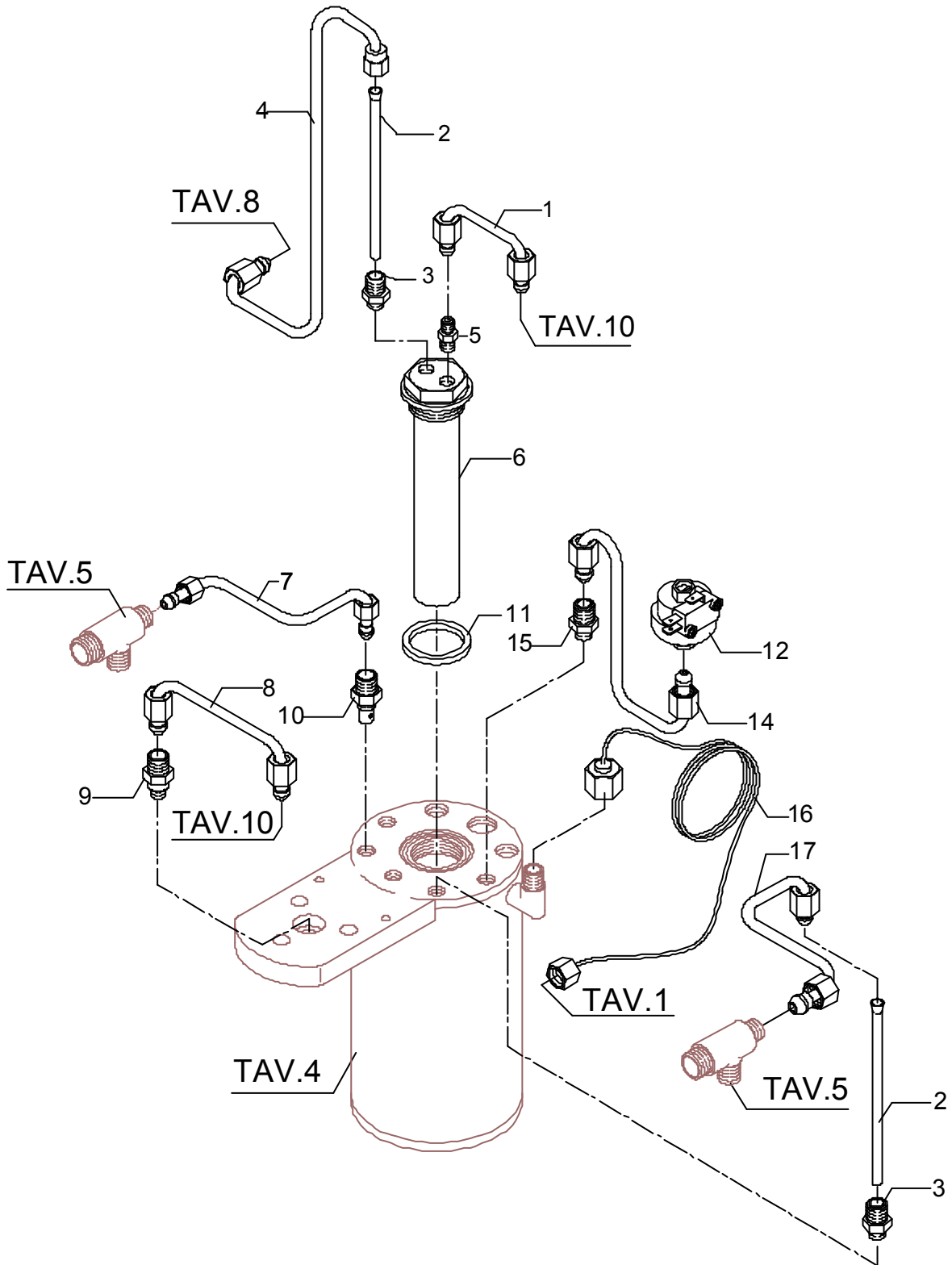
Tav. 03 (up to 10.01.06)

Mod. LIVIA90S PM
LIVIA90S DE



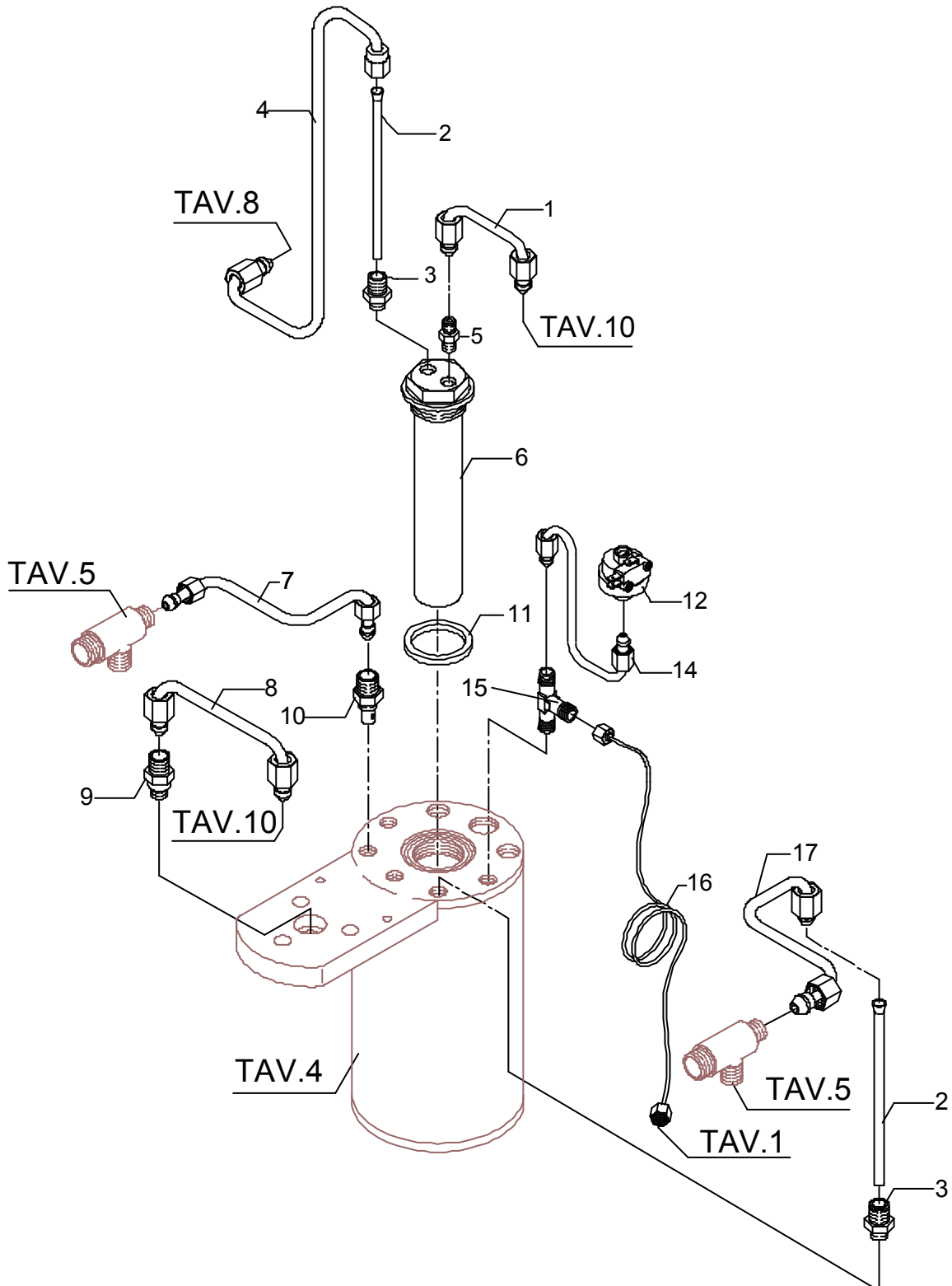
Tav. 03 (up to 30.09.08)

POS	DESCRIPTION	CODE	REFERENCE
1	EXCHANGER-GROUP SOLENOID VALVE HOSE	5162185.01LL	-
2	SUCTION HOSE D6 L=130MM PTFE	5192301	-
3	STRAIGHT FITTING 1/8"G X M12 OT	5302006	-
4	EXCHANGER- SURPRESSION VALVE HOSE	5162184.01LL	-
5	STRAIGHT FITTING 1/8"G OT	7304502	-
6	ASSEMBLY EXCHANGER HOSE POLISHED	5329005.01BL	-
7	STEAM TAP HOSE	5162057LL	-
8	HOSE FOR SOLENOID VALVE OF GROUP	5162056LL	-
9	STRAIGHT FITTING M12 X 1/8"G OT H23	5302003	-
10	STRAIGHT FITTING M12 X 1/8"G OT H33	5302007	-
11	GASKET D32 X 3 BRASS	5495007	-
12	PRESSOSTAT 1/4"G 1,2 BAR 21A	7433008	-
14	PRESSOSTAT HOSE	5162152LL	-
15	STRAIGHT FITTING 1/8"G X M12 OT	5302004	-
16	CAPILLARY 1/8" M12X1	7400901	-
17	WATER TAP HOSE	5162055LL	-



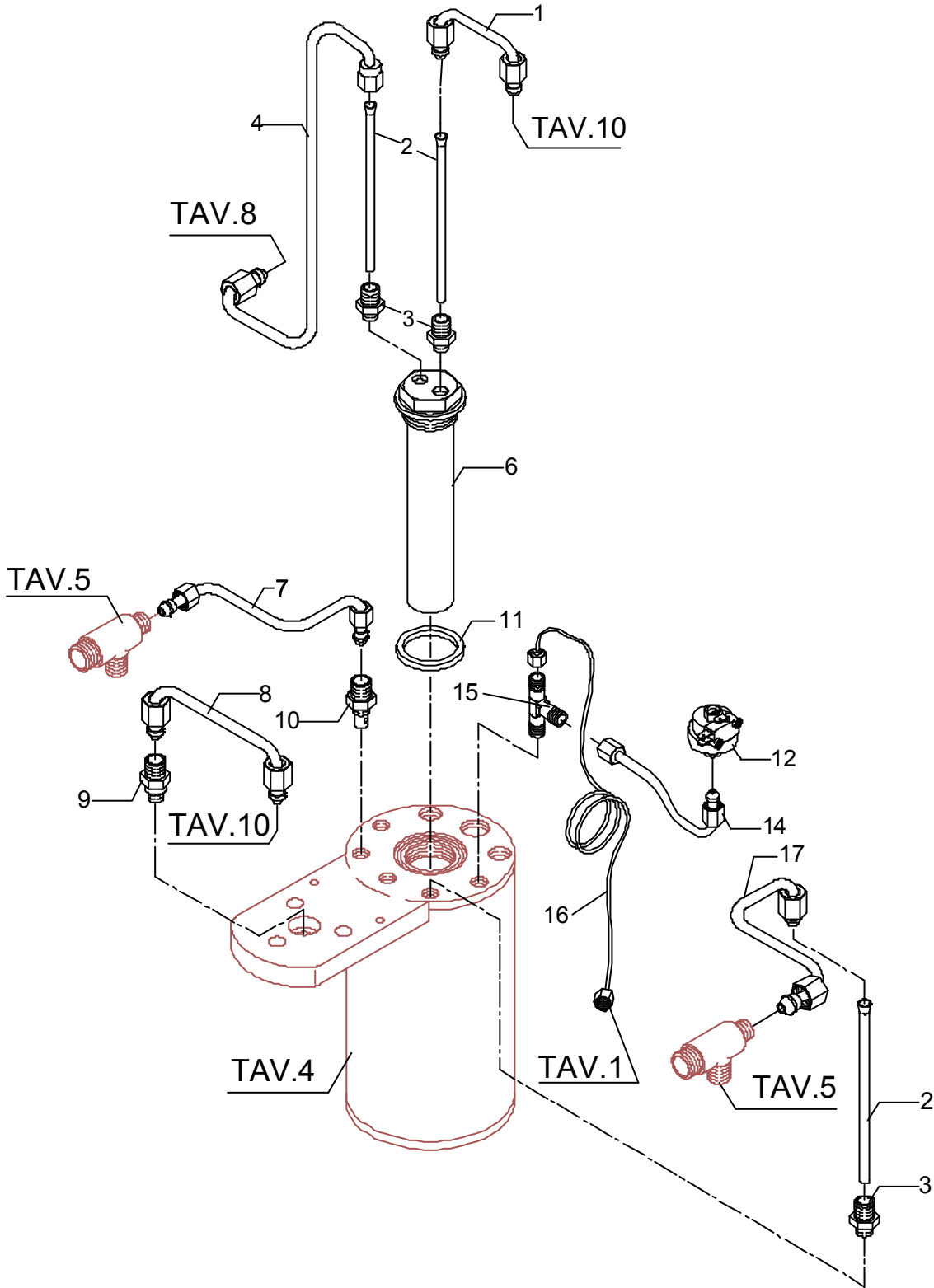
Tav. 03 (up to 09.02.10)

POS	DESCRIPTION	CODE	REFERENCE
1	EXCHANGER-GROUP SOLENOID VALVE HOSE	5162185.01LL	-
2	SUCTION HOSE D6 L=130MM PTFE	5192301	-
3	STRAIGHT FITTING 1/8"G X M12 OT	5302006	-
4	EXCHANGER- SURPRESSION VALVE HOSE	5162184.01LL	-
5	STRAIGHT FITTING 1/8"G OT	7304502	-
6	ASSEMBLY EXCHANGER HOSE POLISHED	5329005.01BL	-
7	STEAM TAP HOSE	5162057LL	-
8	HOSE FOR SOLENOID VALVE OF GROUP	5162056LL	-
9	STRAIGHT FITTING M12 X 1/8"G OT H23	5302003	-
10	STRAIGHT FITTING M12 X 1/8"G OT H33	5302007	-
11	GASKET D32 X 3 BRASS	5495007	-
12	PRESSOSTAT 1/4"G 1,2 BAR 21A	7433008	-
14	PRESSOSTAT HOSE	5162152.01LL	-
15	FITTING	7304514	-
16	PRESSURE GAUGE CAPILLARY	7400902	-
17	WATER TAP HOSE	5162055LL	-



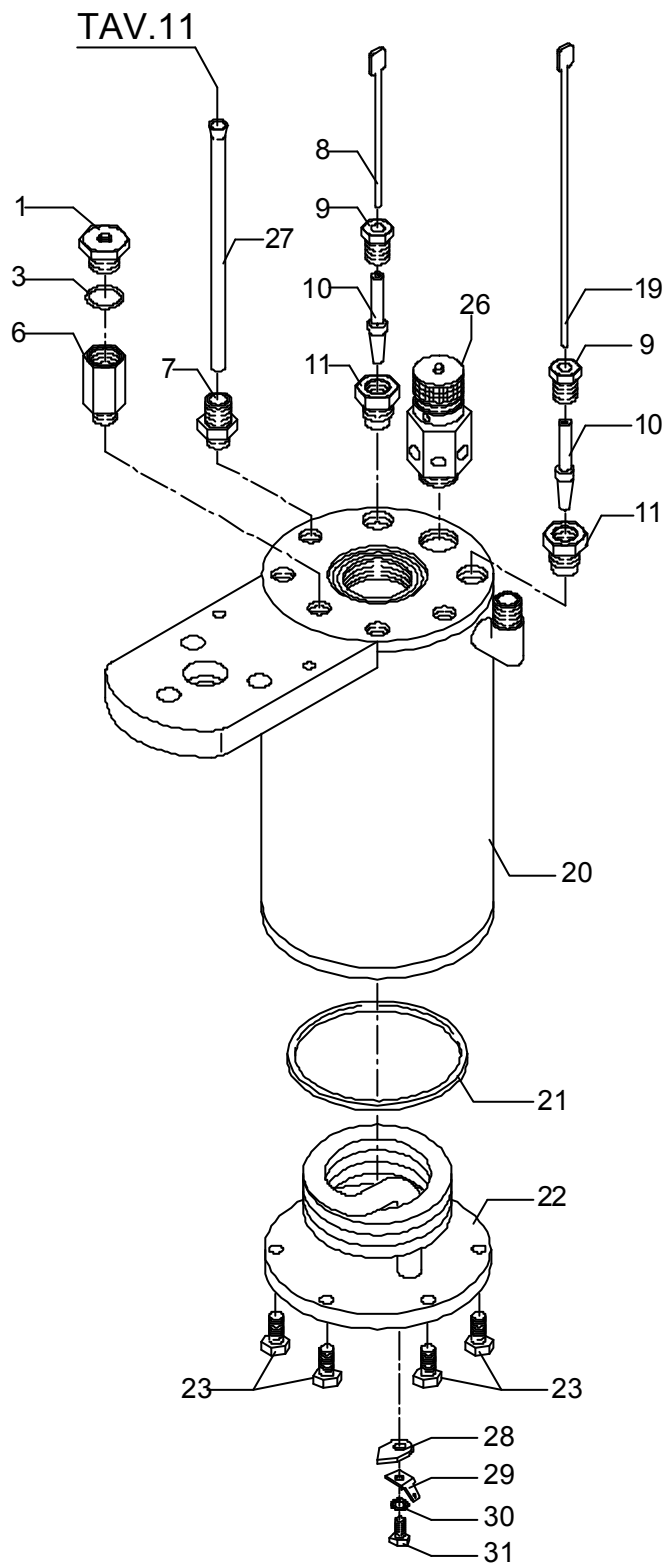
Tav. 03 (from 10.02.10)

POS	DESCRIPTION	CODE	REFERENCE
1	EXCHANGER-GROUP SOLENOID VALVE HOSE	5162185LL	-
2	SUCTION HOSE D6 L=130MM PTFE	5192301	-
3	STRAIGHT FITTING 1/8"G X M12 OT	5302006	-
4	EXCHANGER- SURPRESSION VALVE HOSE	5162184.01LL	-
6	ASSEMBLY EXCHANGER HOSE POLISHED	5329005.01BL	-
7	STEAM TAP HOSE	5162057LL	-
8	HOSE FOR SOLENOID VALVE OF GROUP	5162056LL	-
9	STRAIGHT FITTING M12 X 1/8"G OT H23	5302003	-
10	STRAIGHT FITTING M12 X 1/8"G OT H33	5302007	-
11	GASKET D32 X 3 BRASS	5495007	-
12	PRESSOSTAT 1/4"G 1,2 BAR 21A	7433008	-
14	PRESSOSTAT HOSE	5162152.01LL	-
15	FITTING	7304514	-
16	PRESSURE GAUGE CAPILLARY	7400902	-
17	WATER TAP HOSE	5162055LL	-



Tav. 04 (up to 30.09.08)

POS	DESCRIPTION	CODE	REFERENCE
1	DRAIN VALVE (NEW)	7452511	-
3	OR GASKET (ONLY FOR OLD VALVE)	7496010	-
6	FITTING 1/8"G CONIC	5225277	-
7	STRAIGHT FITTING 1/8"G X M12 OT	5302006	-
8	LEVEL PROBE 1GR D3 X 110 X 6.3	5265804	-
9	STRAIGHT FITTING M10 OT	5225205	-
10	PROBE SHEATH D8 X 45 HOLE D3 PTFE	5192001	-
11	STRAIGHT FITTING 1/4"G X M10 OT	5225209	-
19	LEVEL PROBE D3X160X4.8	5265811	-
20	ASSEMBLY BOILER POLISHED	5320503BL	-
21	OR GASKET D73 X 3 VITON	7496040	-
22	HEATING ELEMENT V100 W1200 (UP TO 15.10.07)	5721004	-
22	HEATING ELEMENT V100 W1200 (FROM 16.10.07)	5721007	-
22	HEATING ELEMENT V110/120 W1200	5721128	-
22	HEATING ELEMENT 220/240V W1100-1300	5722239	-
23	SCREW TE M6X14 UNI 5739 OT	7816422	-
26	SAFETY VALVE	7452515	-
27	SUCTION HOSE D6 L=130MM PTFE	5192301	-
28	EARTHED LABLE	7614501	-
29	FASTON 45° HOLE D4.3	7615003	-
30	WASHER D4 DIN 6798A A2	7814001	-
31	SCREW TE M4X8 UNI 5739 A2	7816409	-

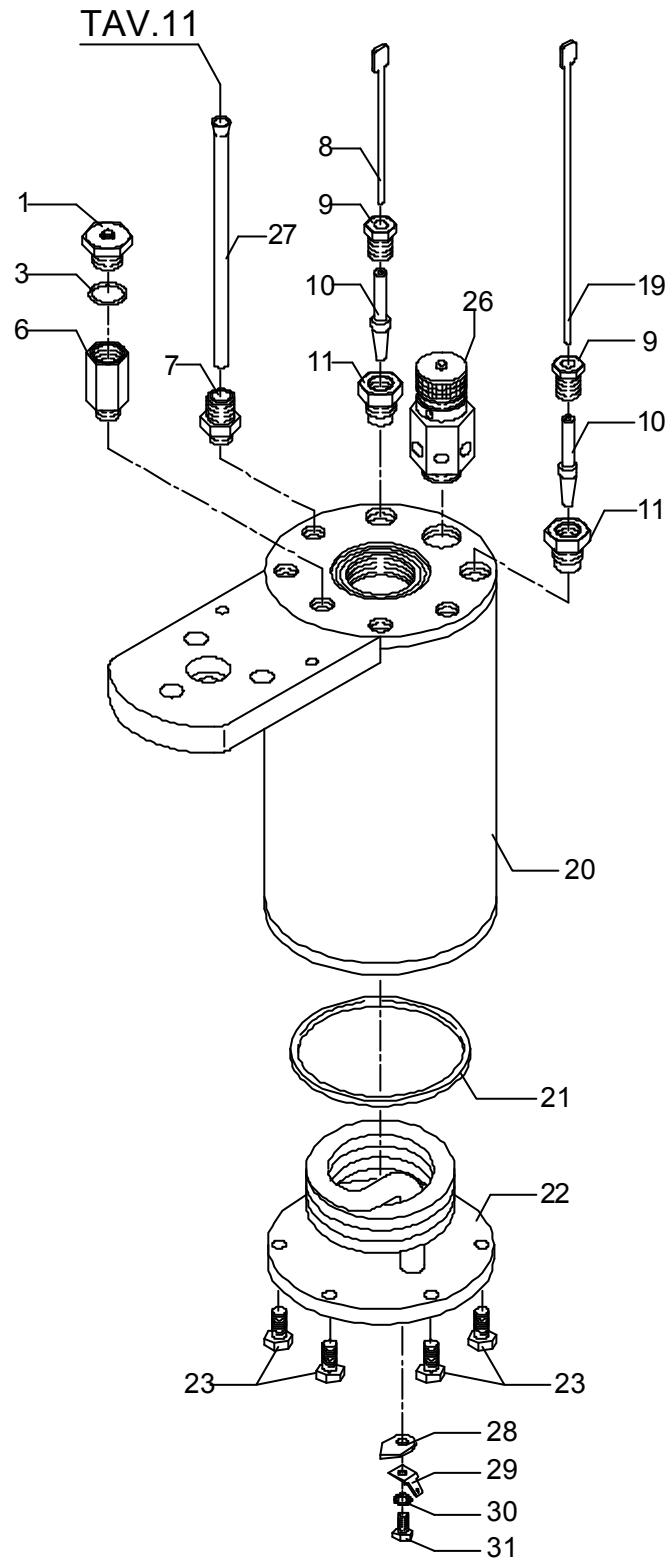


Tav. 4 (from 01.10.08)

POS	DESCRIPTION	CODE	REFERENCE
1	DRAIN VALVE (NEW)	7452511	-
3	OR GASKET (ONLY FOR OLD VALVE)	7496010	-
6	FITTING 1/8"G CONIC	5225277	-
7	STRAIGHT FITTING 1/8"G X M12 OT	5302006	-
8	LEVEL PROBE 1GR D3 X 110 X 6.3	5265804	-
9	STRAIGHT FITTING M10 OT	5225205	-
10	PROBE SHEATH D8 X 45 HOLE D3 PTFE	5192001	-
11	STRAIGHT FITTING 1/4"G X M10 OT	5225209	-
19	LEVEL PROBE D3X160X4.8	5265811	-
20	ASSEMBLY BOILER POLISHED	5320503.01BL	-
21	OR GASKET D73 X 3 VITON	7496040	-
22	HEATING ELEMENT V100 W1200 (UP TO 15.10.07)	5721004	-
22	HEATING ELEMENT V100 W1200 (FROM 16.10.07)	5721007	-
22	HEATING ELEMENT V110/120 W1200	5721128	-
22	HEATING ELEMENT 220/240V W1100-1300	5722239	-
23	SCREW TE M6X14 UNI 5739 OT	7816422	-
26	SAFETY VALVE	7452515	-
27	SUCTION HOSE D6 L=130MM PTFE	5192301	-
28	EARTHED LABLE	7614501	-
29	FASTON 45° HOLE D4.3	7615003	-
30	WASHER D4 DIN 6798A A2	7814001	-
31	SCREW TE M4X8 UNI 5739 A2	7816409	-

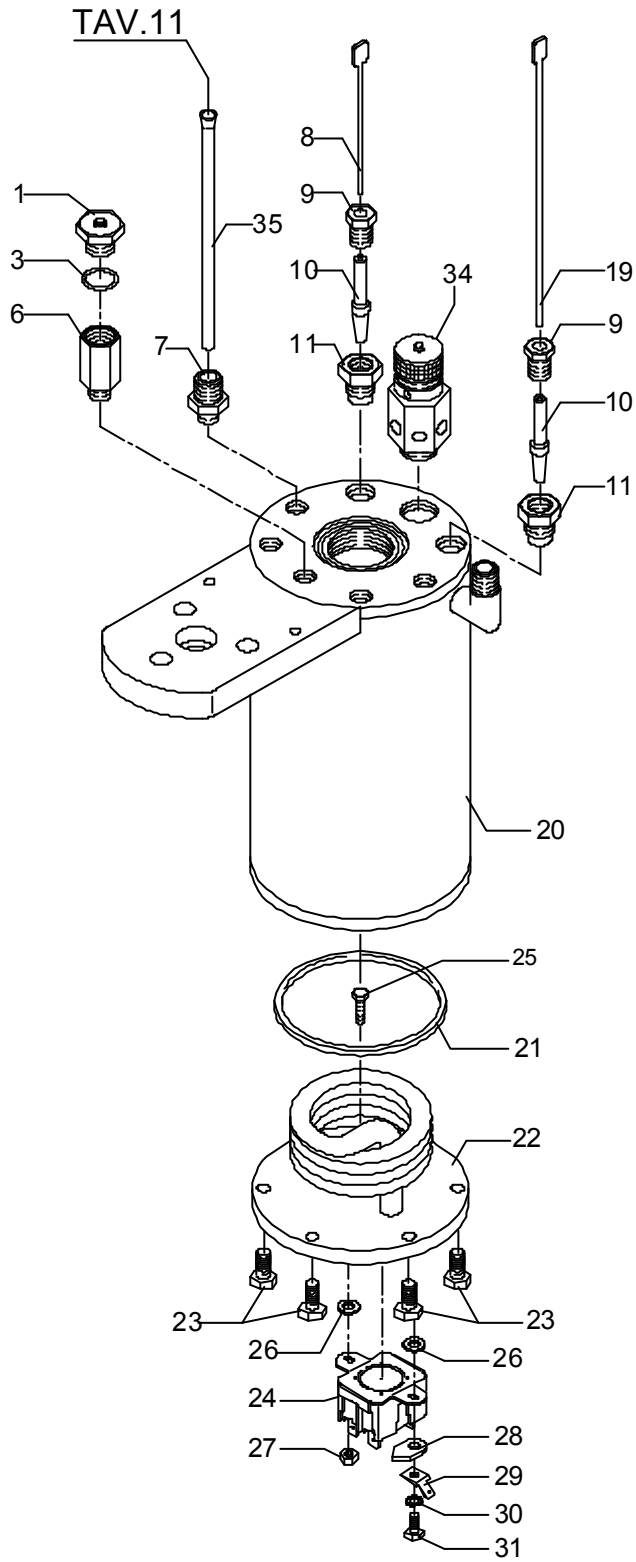
Mod. LIVIA90S PM (VERS. NO "CE")
LIVIA90S DE (VERS. NO "CE")

Tav. 04 (from 01.10.08)



Tav. 4A (up to 30.09.08)

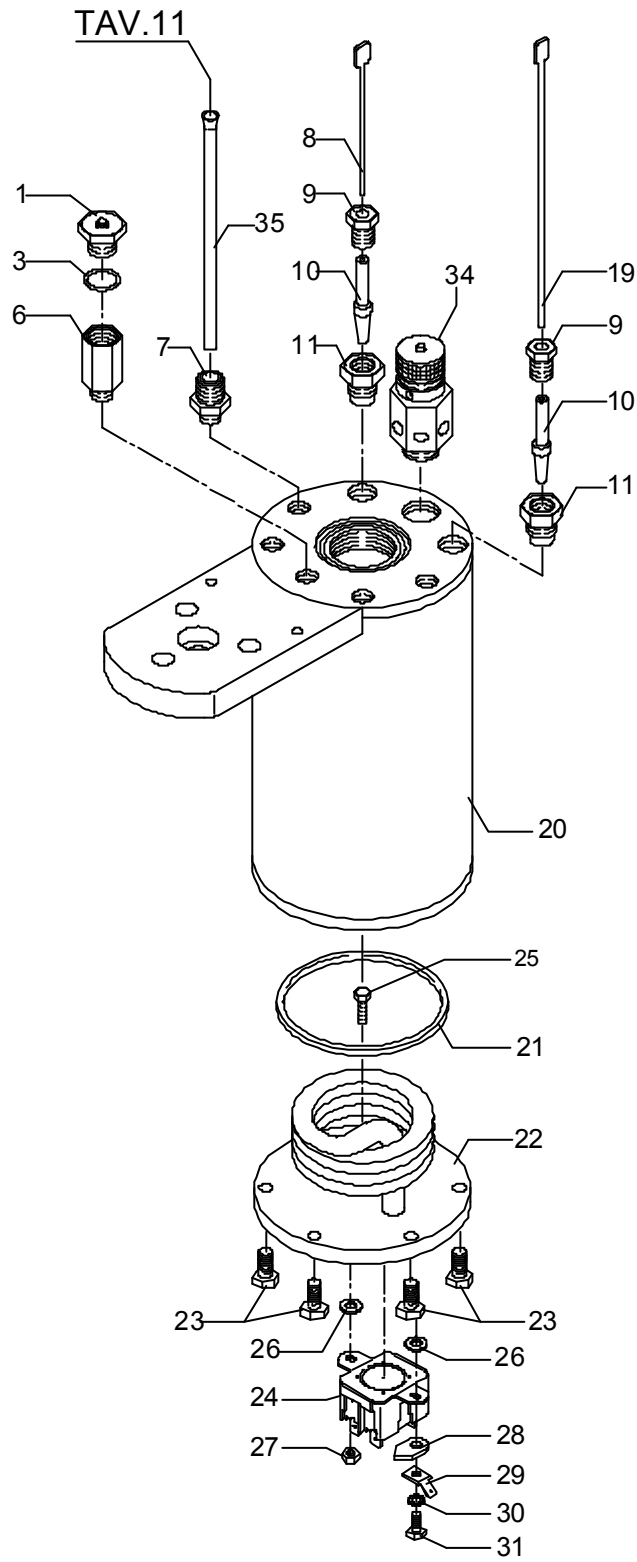
POS	DESCRIPTION	CODE	REFERENCE
1	DRAIN VALVE (NEW)	7452511	-
3	OR GASKET (ONLY FOR OLD VALVE)	7496010	-
6	FITTING 1/8" G CONIC	5225277	-
7	STRAIGHT FITTING 1/8" G X M12 OT	5302006	-
8	LEVEL PROBE 1GR D3 X 110 X 6.3	5265804	-
9	STRAIGHT FITTING M10 OT	5225205	-
10	PROBE SHEATH D8 X 45 HOLE D3 PTFE	5192001	-
11	STRAIGHT FITTING 1/4" G X M10 OT	5225209	-
19	LEVEL PROBE D3X160X4.8	5265811	-
20	ASSEMBLY BOILER POLISHED	5320503BL	-
21	OR GASKET D73 X 3 VITON	7496040	-
22	HEATING ELEMENT V100 W1200 (UP TO 15.10.07)	5721004	-
22	HEATING ELEMENT V100 W1200 (FROM 16.10.07)	5721007	-
22	HEATING ELEMENT V110/120 W1200	5721128	-
22	HEATING ELEMENT 220/240V W1100-1300	5722239	-
23	SCREW TE M6X14 UNI 5739 OT	7816422	-
24	THERMIC SAFETY DEVICE 250V 115°C	7634813	-
25	SCREW TE M4X16 UNI 5739 OT	7826402	-
26	WASHER D5X1 UNI 6592 OT	7825003	-
27	NUT M4 OT	7822603	-
28	EARTHED LABEL	7614501	-
29	FASTON 45° HOLE D4.3	7615003	-
30	WASHER D4 DIN 6798A A2	7814001	-
31	SCREW TE M4X8 UNI 5739 A2	7816409	-
34	SAFETY VALVE	7452515	-
35	SUCTION HOSE D6 L=130MM PTFE	5192301	-



Tav. 04A (from 01.10.08)

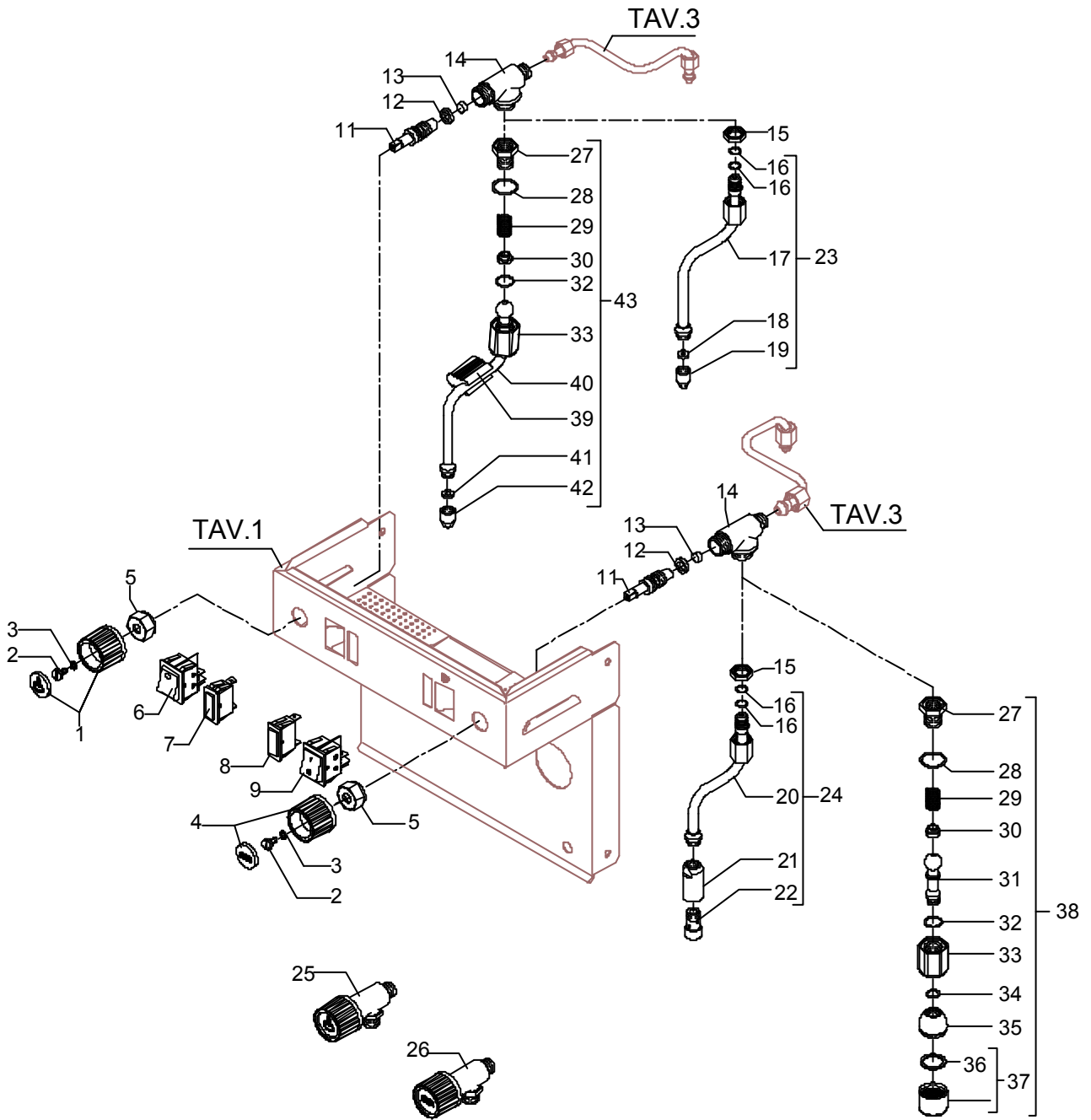
POS	DESCRIPTION	CODE	REFERENCE
1	DRAIN VALVE (NEW)	7452511	-
3	OR GASKET (ONLY FOR OLD VALVE)	7496010	-
6	FITTING 1/8"G CONIC	5225277	-
7	STRAIGHT FITTING 1/8"G X M12 OT	5302006	-
8	LEVEL PROBE 1GR D3 X 110 X 6.3	5265804	-
9	STRAIGHT FITTING M10 OT	5225205	-
10	PROBE SHEATH D8 X 45 HOLE D3 PTFE	5192001	-
11	STRAIGHT FITTING 1/4"G X M10 OT	5225209	-
19	LEVEL PROBE D3X160X4.8	5265811	-
20	ASSEMBLY BOILER POLISHED	5320503.01BL	-
21	OR GASKET D73 X 3 VITON	7496040	-
22	HEATING ELEMENT V100 W1200 (UP TO 15.10.07)	5721004	-
22	HEATING ELEMENT V100 W1200 (FROM 16.10.07)	5721007	-
22	HEATING ELEMENT V110/120 W1200	5721128	-
22	HEATING ELEMENT 220/240V W1100-1300	5722239	-
23	SCREW TE M6X14 UNI 5739 OT	7816422	-
24	THERMIC SAFETY DEVICE 250V 130°C	7634819	-
25	SCREW TE M4X16 UNI 5739 OT	7826402	-
26	WASHER D5X1 UNI 6592 OT	7825003	-
27	NUT M4 OT	7822603	-
28	EARTHED LABEL	7614501	-
29	FASTON 45° HOLE D4.3	7615003	-
30	WASHER D4 DIN 6798A A2	7814001	-
31	SCREW TE M4X8 UNI 5739 A2	7816409	-
34	SAFETY VALVE	7452515	-
35	SUCTION HOSE D6 L=130MM PTFE	5192301	-

Mod. LIVIA90S PM ("CE") **Tav. 04A (from 01.10.08)**



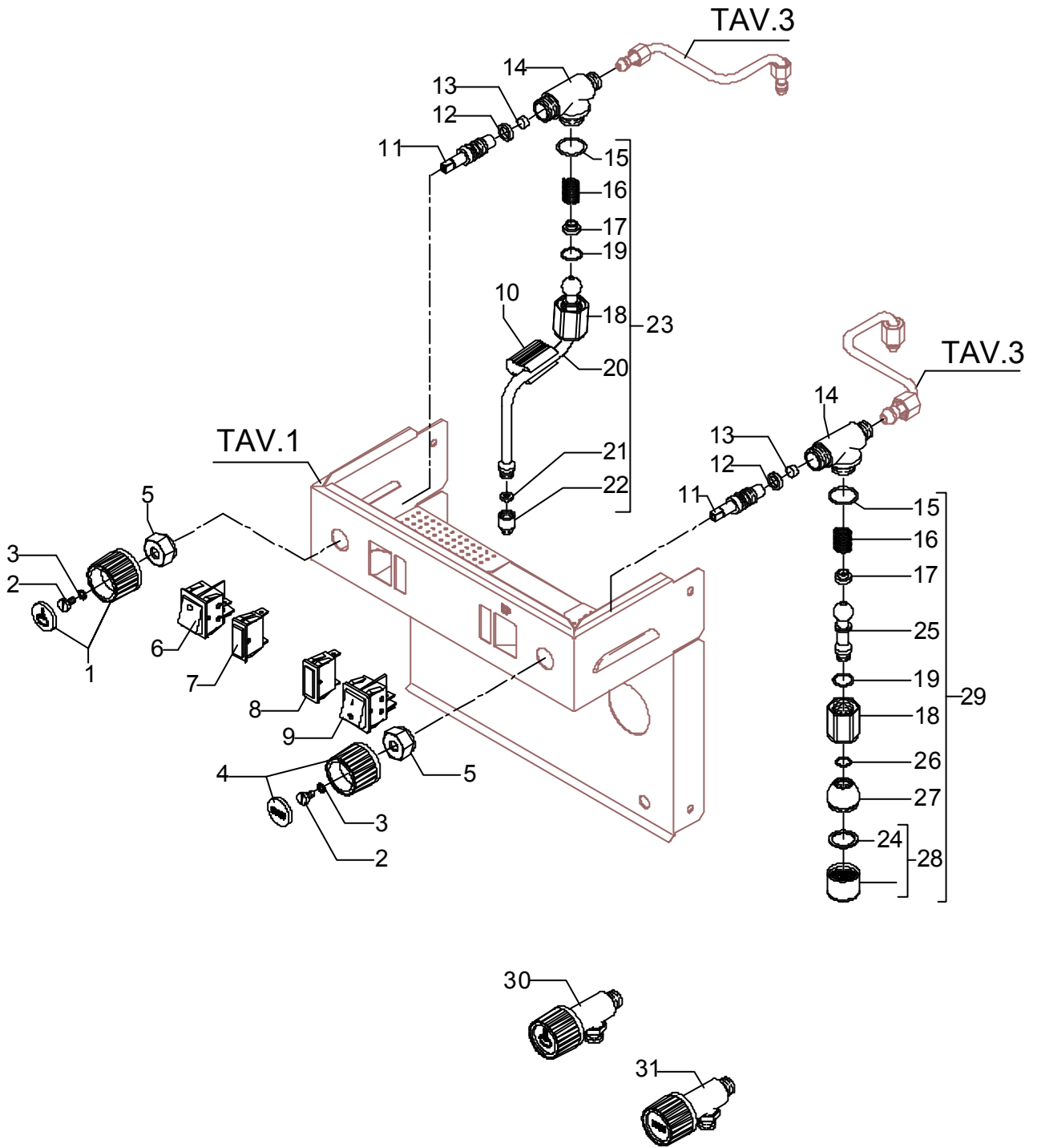
Tav. 05 (up to 31.08.03)

POS	DESCRIPTION	CODE	REFERENCE
1	COMPLETE STEAM KNOB	5973001	-
2	SCREW TCI M4X10 UNI 6107 OT	7816205	-
3	WASHER D4 DIN 6798A A2	7814001	-
4	COMPLETE WATER KNOB	5973002	-
5	NUT 3/8"G H11.5 OT CHROMED	5221802CM	-
6	BIPOLAR SWITCH WITH LED	7633313	-
7	YELLOW LAMP 110/240V	7633614	-
8	GREEN LAMP 110/240V	7633613	-
9	UNIPOLAR SWITCH 250V 16A WITH FASTON 6.3	7632103	-
11	ASSEMBLY ADJUSTMENT ROD	5960505	-
12	OR GASKET D7.6 X 2.62 VITON	7496001	-
13	GASKET D8 X 4 EPT 70SH	5493001	-
14	TAP BODY 3/8"G X M13 OT	5283001	-
15	NUT M13 H4 OT	5221801	-
16	OR GASKET D6 X 2 VITON	7496037	-
17	STEAM HOSE CHROMED	5163017CM	-
18	GASKET D8.5 X 5 X 3.2 PTFE	5494001	-
19	STEAM HOSE TERMINAL CHROMED	5226602	-
20	COMPLETE WATER HOSE CHROMED	5163018CM	-
21	WATER TERMINAL CHROMED	5226605CM	-
22	FITTING M10 OT	5225250	-
23	ASSEMBLY COMPLETE STEAM HOSE	5966503	-
24	ASSEMBLY COMPLETE WATER HOSE	5966504	-
25	COMPLETE STEAM TAP	5974029	-
26	ASSEMBLY WATER TAP	5974030	-
27	REDUCTION GEAR M/F 3/8" M13X1 OT	5225407	-
28	OR GASKET 121 XP70	7496072	-
29	SPRING	5471531	-
30	COMPLETE CUP	5220605	-
31	WATER HOSE D14 H44 OT CHROMED	5225607CM	-
32	OR GASKET 115 EP856	7496073	-
33	ARTICULATION NUT 3/8"G ES22 H25 CHROMED	5221870CM	-
34	OR GASKET 108 VITON	7496003	-
35	WATER HOSE TERMINAL D23.5X18 OT CHROMED	5226610CM	-
36	GASKET D20.5X15 H2 NBR 70SH	5493003	-
37	WATER HOSE TERMINAL M22 CHROMED	5226601CM	-
38	ASSEMBLY COMPLETE WATER HOSE	5963061	-
39	INSULATING	7371001	-
40	STEAM HOSE LI90 WITH ARTICULATION CHROMED	5163151CM	-
41	GASKET D8.5 X 5 X 3.2 PTFE	5494001	-
42	STEAM HOSE TERMINAL	5226602	-
43	ASSEMBLY COMPLETE STEAM HOSE	5963060	-



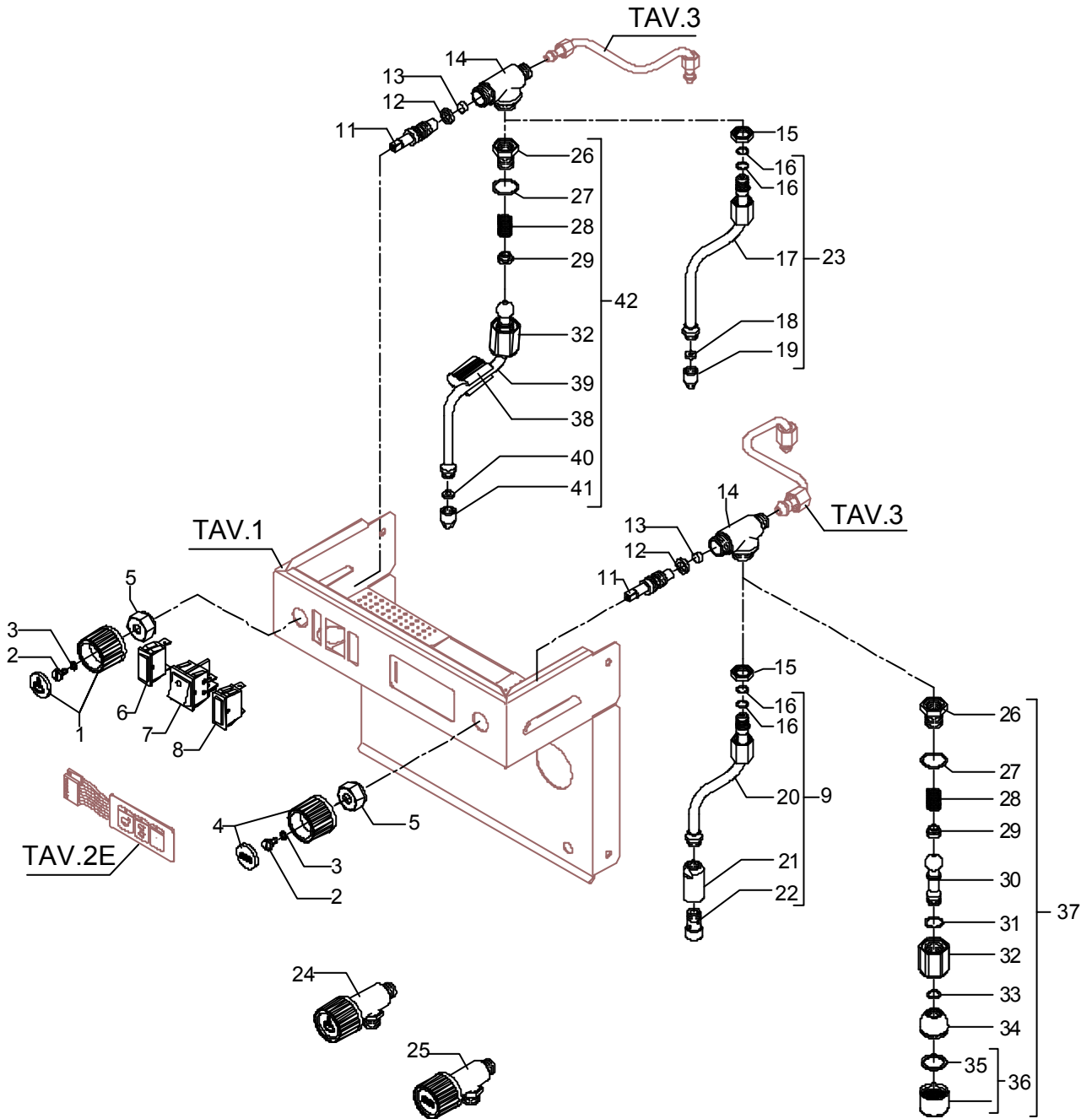
Tav. 05 (from 01.09.03)

POS	DESCRIPTION	CODE	REFERENCE
1	COMPLETE STEAM KNOB	5973001	-
2	SCREW TCI M4X10 UNI 6107 OT	7816205	-
3	WASHER D4 DIN 6798A A2	7814001	-
4	COMPLETE WATER KNOB	5973002	-
5	NUT 3/8"G H11.5 OT CHROMED	5221802CM	-
6	BIPOLAR SWITCH WITH LED	7633313	-
7	YELLOW LAMP 110/240V	7633614	-
8	GREEN LAMP 110/240V	7633613	-
9	UNIPOLAR SWITCH 250V 16A WITH FASTON 6.3	7632103	-
10	INSULATING	7371001	-
11	ASSEMBLY ADJUSTMENT ROD	5960505	-
12	OR GASKET D7.6 X 2.62 VITON	7496001	-
13	GASKET D8 X 4 EPT 70SH	5493001	-
14	TAP BODY 3/8"G X 3/8"G X M13 OT	5283039	-
15	OR GASKET	7496072	-
16	SPRING	5471532	-
17	COMPLETE CUP	5220606	-
18	NUT	5221872CM	-
19	OR GASKET	7496073	-
20	STEAM HOSE CHROMED	5163151CM	-
21	GASKET D8.5 X 5 X 3.2 PTFE	5494001	-
22	STEAM HOSE TERMINAL CHROMED	5226602	-
23	ASSEMBLY COMPLETE STEAM HOSE	5966532R	-
24	GASKET D20.5X15 H1.5 NBR 70SH	5493003	-
25	WATER HOSE CHROMED	5225607CM	-
26	OR GASKET 108 VITON	7496003	-
27	FITTING	5226610CM	-
28	WATER HOSE TERMINAL D23.5 H16 OT CHROMED	5226601CM	-
29	ASSEMBLY COMPLETE WATER HOSE	5966531R	-
30	COMPLETE STEAM TAP	5974029.01	-
31	ASSEMBLY WATER TAP	5974030.01	-



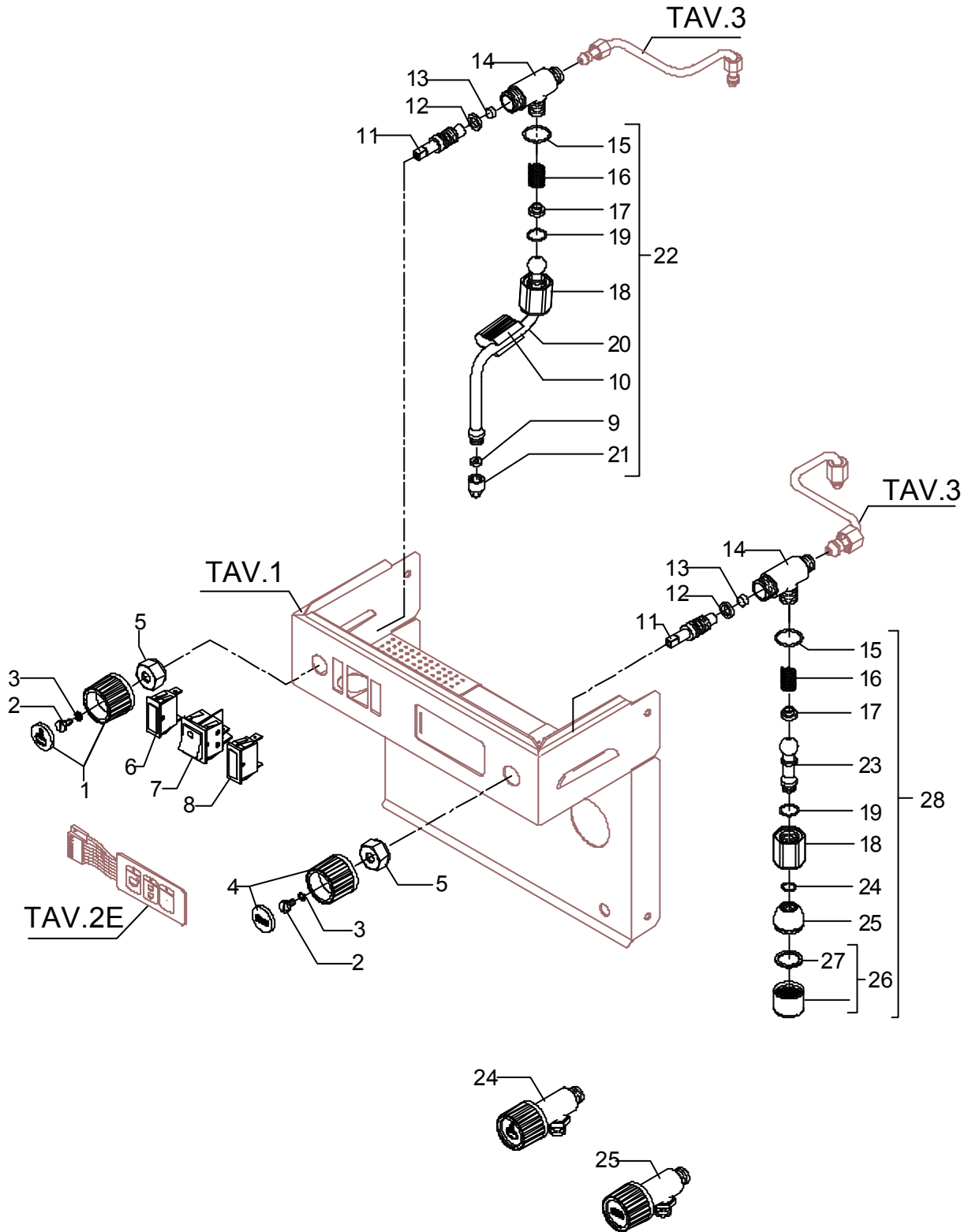
Tav. 05A (up to 31.08.03)

POS	DESCRIPTION	CODE	REFERENCE
1	COMPLETE STEAM KNOB	5973001	-
2	SCREW TCI M4X10 UNI 6107 OT	7816205	-
3	WASHER D4 DIN 6798A A2	7814001	-
4	COMPLETE WATER KNOB	5973002	-
5	NUT 3/8"G H11.5 OT CHROMED	5221802CM	-
6	YELLOW LAMP 110/240V	7633614	-
7	BIPOLAR SWITCH WITH LED	7633313	-
8	GREEN LAMP 110/240V	7633613	-
9	ASSEMBLY COMPLETE WATER HOSE	5966504	-
11	ASSEMBLY ADJUSTMENT ROD	5960505	-
12	OR GASKET D7.6 X 2.62 VITON	7496001	-
13	GASKET D8 X 4 EPT 70SH	5493001	-
14	TAP BODY 3/8"G X M13 OT	5283001	-
15	NUT M13 H4 OT	5221801	-
16	OR GASKET D6 X 2 VITON	7496037	-
17	STEAM HOSE CHROMED	5163017CM	-
18	GASKET D8.5 X 5 X 3.2 PTFE	5494001	-
19	STEAM HOSE TERMINAL CHROMED	5226602	-
20	COMPLETE WATER HOSE CHROMED	5163018CM	-
21	WATER TERMINAL CHROMED	5226605CM	-
22	FITTING M10 OT	5225250	-
23	ASSEMBLY COMPLETE STEAM HOSE	5966503	-
24	COMPLETE STEAM TAP	5974029	-
25	ASSEMBLY WATER TAP	5974030	-
26	REDUCTION GEAR M/F 3/8" M13X1 OT	5225407	-
27	OR GASKET 121 XP70	7496072	-
28	SPRING	5471531	-
29	COMPLETE CUP	5220605	-
30	WATER HOSE D14 H44 OT CHROMED	5225607CM	-
31	OR GASKET 115 EP856	7496073	-
32	ARTICULATION NUT 3/8"G ES22 H25 CHROMED	5221870CM	-
33	OR GASKET 108 VITON	7496003	-
34	WATER HOSE TERMINAL D23.5X18 OT CHROMED	5226610CM	-
35	GASKET D20.5X15 H2 NBR 70SH	5493003	-
36	WATER HOSE TERMINAL M22 CHROMED	5226601CM	-
37	ASSEMBLY COMPLETE WATER HOSE	5963061	-
38	INSULATING	7371001	-
39	STEAM HOSE LI90 WITH ARTICULATION CHROMED	5163151CM	-
40	GASKET D8.5 X 5 X 3.2 PTFE	5494001	-
41	STEAM HOSE TERMINAL	5226602	-
42	ASSEMBLY COMPLETE STEAM HOSE	5963060	-



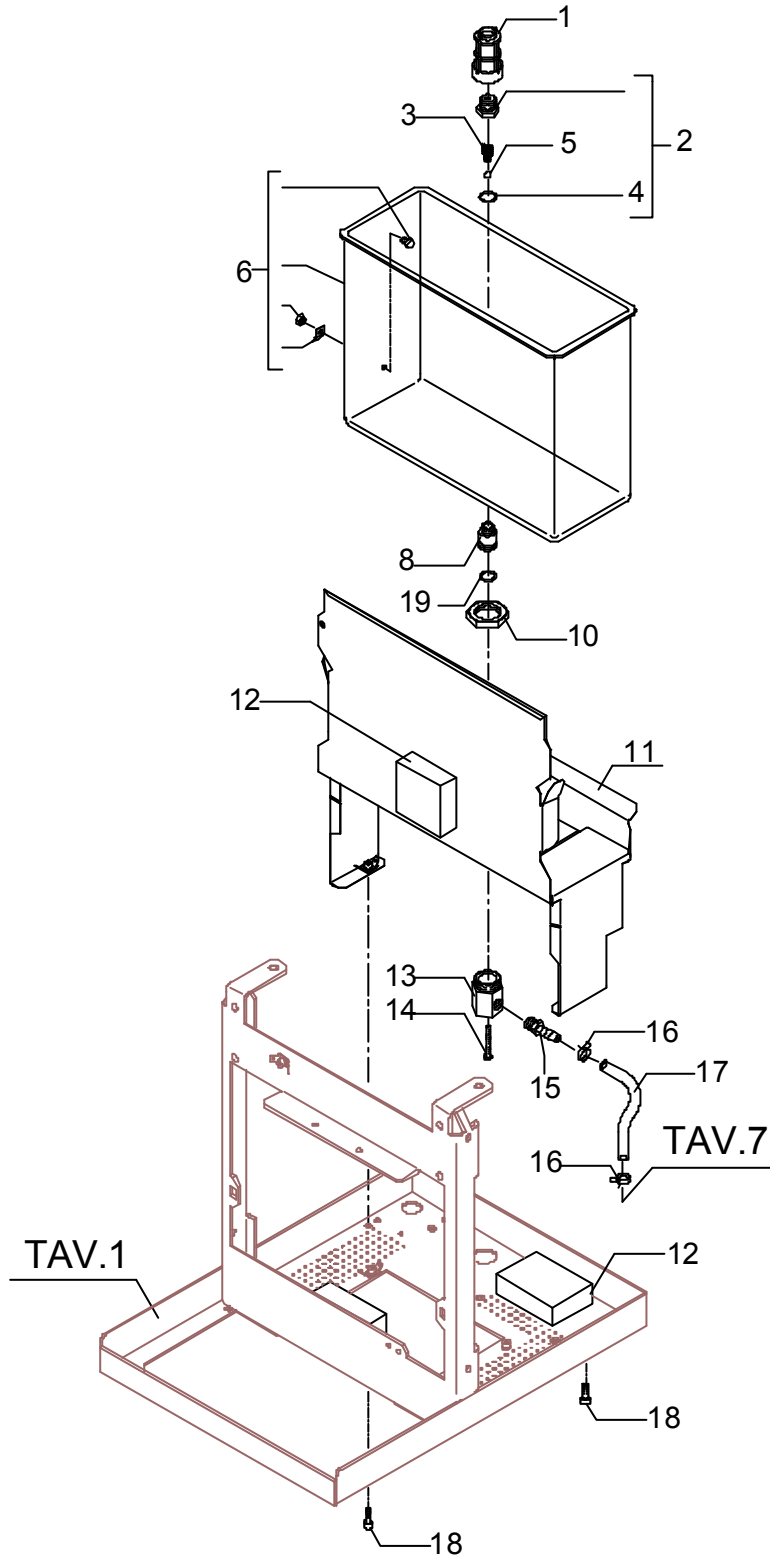
Tav. 05A (from 01.09.03)

POS	DESCRIPTION	CODE	REFERENCE
1	COMPLETE STEAM KNOB	5973001	-
2	SCREW TCI M4X10 UNI 6107 OT	7816205	-
3	WASHER D4 DIN 6798A A2	7814001	-
4	COMPLETE WATER KNOB	5973002	-
5	NUT 3/8"G H11.5 OT CHROMED	5221802CM	-
6	YELLOW LAMP 110/240V	7633614	-
7	BIPOLAR SWITCH WITH LED	7633313	-
8	GREEN LAMP 110/240V	7633613	-
9	GASKET D8.5 X 5 X 3.2 PTFE	5494001	-
10	INSULATING	7371001	-
11	ASSEMBLY ADJUSTMENT ROD	5960505	-
12	OR GASKET D7.6 X 2.62 VITON	7496001	-
13	GASKET D8 X 4 EPT 70SH	5493001	-
14	TAP BODY 3/8"G X 3/8"G X M13 OT	5283039	-
15	OR GASKET	7496072	-
16	SPRING	5471532	-
17	COMPLETE CUP	5220606	-
18	NUT	5221872CM	-
19	OR GASKET	7496073	-
20	STEAM HOSE CHROMED	5163151CM	-
21	STEAM HOSE TERMINAL CHROMED	5226602	-
22	ASSEMBLY COMPLETE STEAM HOSE	5966532R	-
23	WATER HOSE CHROMED	5225607CM	-
24	OR GASKET 108 VITON	7496003	-
25	FITTING	5226610CM	-
26	WATER HOSE TERMINAL D23.5 H16 OT CHROMED	5226601CM	-
27	GASKET D20.5X15 H1.5 NBR 70SH	5493003	-
28	ASSEMBLY COMPLETE WATER HOSE	5966531R	-
29	COMPLETE STEAM TAP	5974029.01	-
30	ASSEMBLY WATER TAP	5974030.01	-



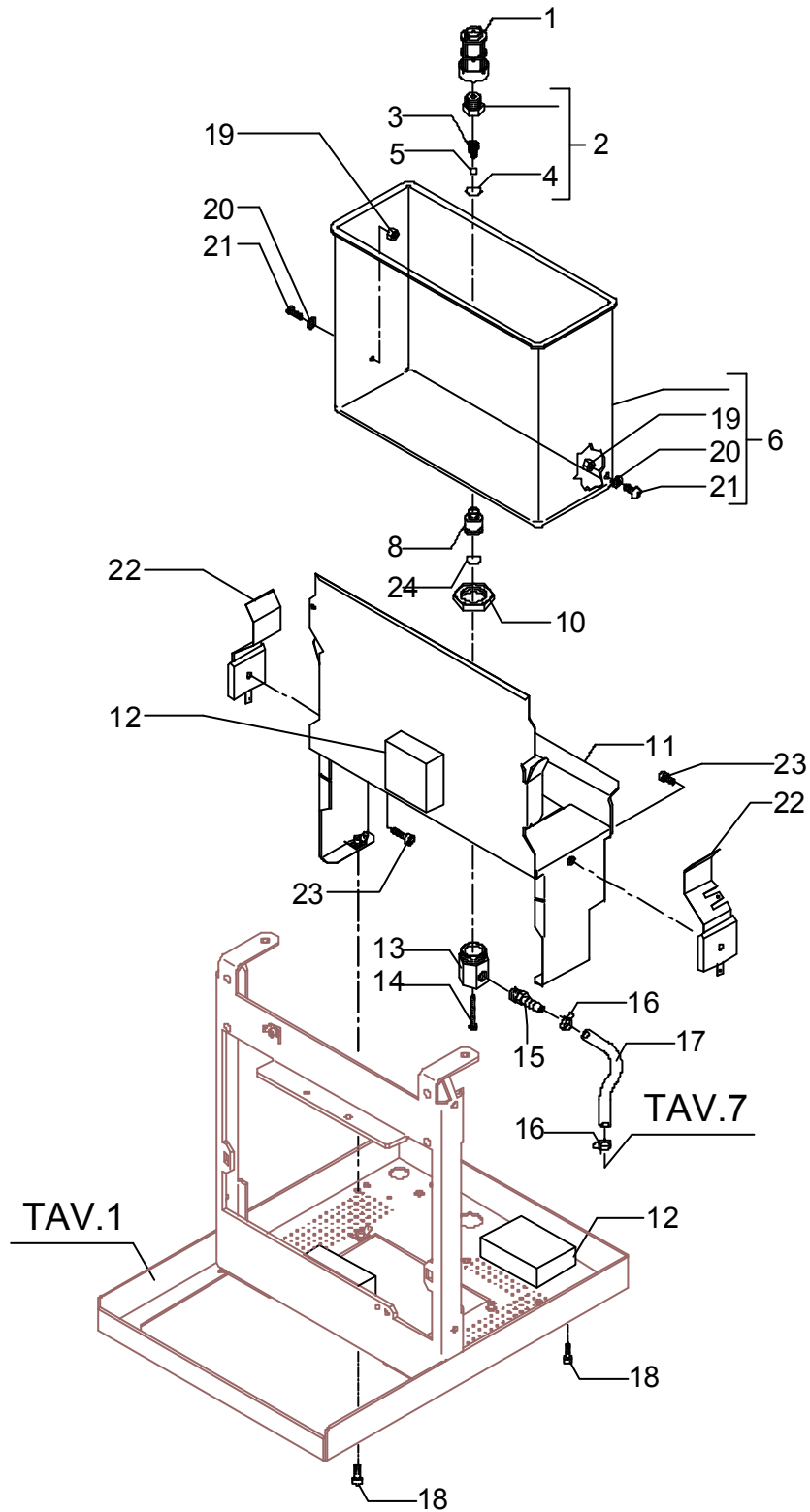
Tav. 06 (up to 09.03.06)

POS	DESCRIPTION	CODE	REFERENCE
1	FILTER 1/4"G H43,5 PLASTIC	7374002	-
2	REDUCTION GEAR 1/4"G X M10 WITH GASKET	5225401	-
3	COUPLING SPRING	5471521	-
4	OR GASKET 112 70SH (UP TO 15.04.2006)	7496076	-
4	OR GASKET 115 EP856 (FROM 16.04.2006)	7496073	-
5	BALL 7/32" AISI 304	5471509	-
6	TANK	7373006LL	-
8	GASKET-HOLDER D14.5 X 22 OT	5224611	-
10	NUT M20 H5 OT	5221830	-
11	ASSEMBLY TANK SUPPORT	5963017.02	-
12	ADHESIVE SPONGE 55X55X20	7499904LL	-
13	FITTING M20 H28.5 OT	5225228	-
14	SCREW TCI M3X30 UNI 6107 OT	7826206	-
15	FITTING 1/8"G CONIC ES.10 H33 OT	5225246	-
16	CLAMP	7611512	-
17	CRISTAL HOSE D6 X 9 L=135MM	5194528	-
18	SCREW TCEI M4X10	7816009	-
19	OR GASKET 112 70SH	7496076	-



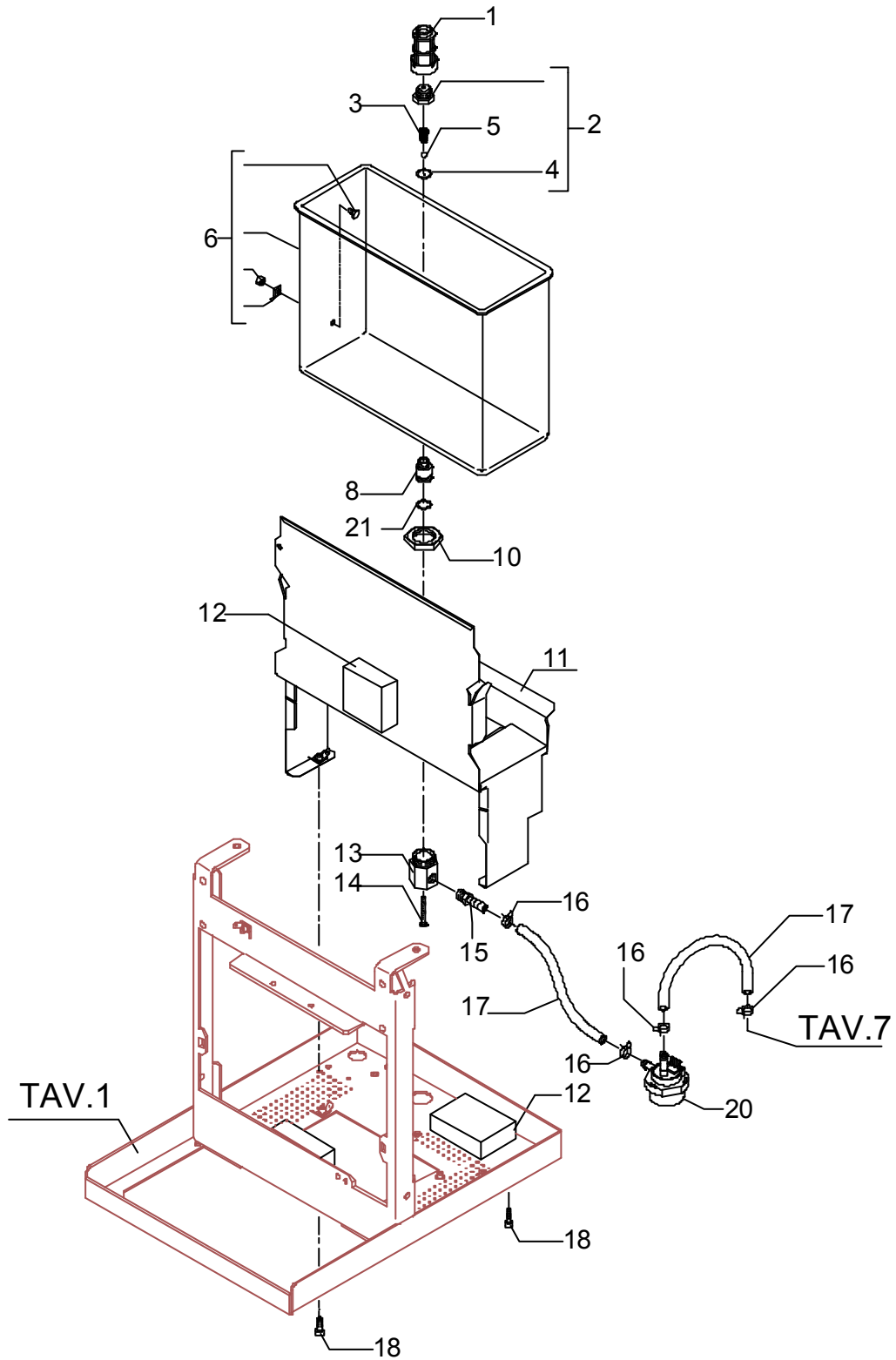
Tav. 06 (from 10.03.06)

POS	DESCRIPTION	CODE	REFERENCE
1	FILTER 1/4"G H43,5 PLASTIC	7374002	-
2	REDUCTION GEAR 1/4"G X M10 WITH GASKET	5225401	-
3	COUPLING SPRING	5471521.01	-
4	OR GASKET 112 70SH (UP TO 15.04.2006)	7496076	-
4	OR GASKET 115 EP856 (FROM 16.04.2006)	7496073	-
5	BALL 7/32" AISI 304	5471509	-
6	TANK	7373006.01LL	-
8	GASKET-HOLDER D14.5 X25 OT	5224617	-
10	NUT M20 H5 OT	5221830	-
11	ASSEMBLY TANK SUPPORT	5963017.02	-
12	ADHESIVE SPONGE 55X55X20	7499904LL	-
13	FITTING M20 H28.5 OT	5225228	-
14	SCREW TCI M3X30 UNI 6107 OT	7826206	-
15	FITTING 1/8"G CONIC ES.10 H33 OT	5225246	-
16	CLAMP	7611512	-
17	CRISTAL HOSE D6 X 9 L=135MM	5194528	-
18	SCREW TCEI M4X10	7816009	-
19	NUT M4 STAINLESS STEEL	7812601	-
20	WASHER D4 NYLON	7374004	-
21	SCREW TTEI M4X8	7819908	-
22	TANK SUPPORT SHAPED SPRING	5471535	-
23	SCREW TC M 3,5X8 PLASTITE	7809806	-
24	OR GASKET 112 70SH	7496076	-



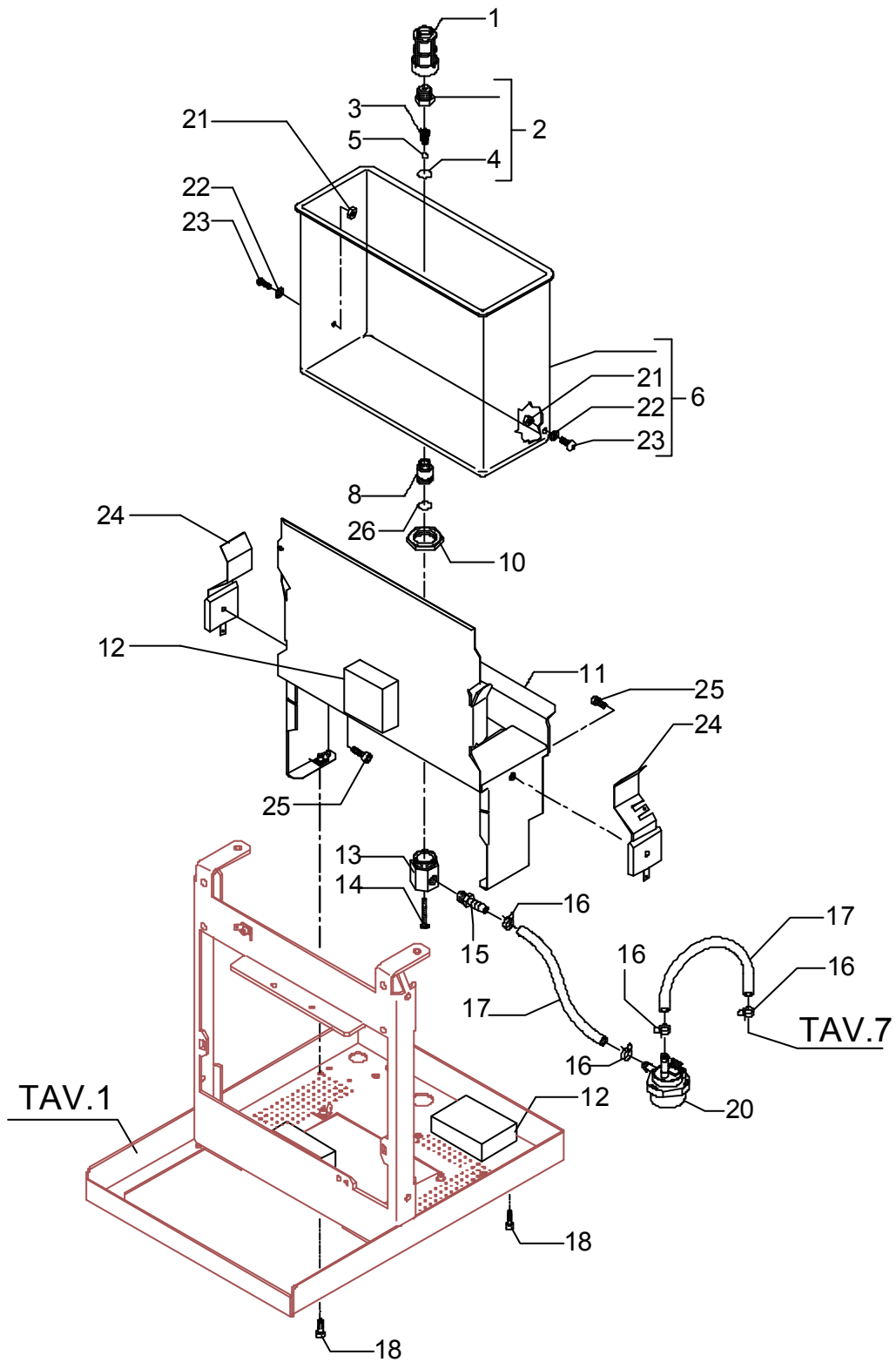
Tav. 06E (up to 09.03.06)

POS	DESCRIPTION	CODE	REFERENCE
1	FILTER 1/4"G H43,5 PLASTIC	7374002	-
2	REDUCTION GEAR 1/4"G X M10 WITH GASKET	5225401	-
3	COUPLING SPRING	5471521	-
4	OR GASKET 112 70SH (UP TO 15.04.2006)	7496076	-
4	OR GASKET 115 EP856 (FROM 16.04.2006)	7496073	-
5	BALL 7/32" AISI 304	5471509	-
6	TANK	7373006LL	-
8	GASKET-HOLDER D14.5 X 22 OT	5224611	-
10	NUT M20 H5 OT	5221830	-
11	ASSEMBLY TANK SUPPORT	5963017.02	-
12	ADHESIVE SPONGE 55X55X20	7499904LL	-
13	FITTING M20 H28.5 OT	5225228	-
14	SCREW TCI M3X30 UNI 6107 OT	7826206	-
15	FITTING 1/8"G CONIC ES.10 H33 OT	5225246	-
16	CLAMP	7611512	-
17	CRISTAL HOSE D5 X 8 L=135MM	5194569	-
18	SCREW TCEI M4X10	7816009	-
20	FLOW METER LOW PRESSURE	7431002	-
21	OR GASKET 112 70SH	7496076	-



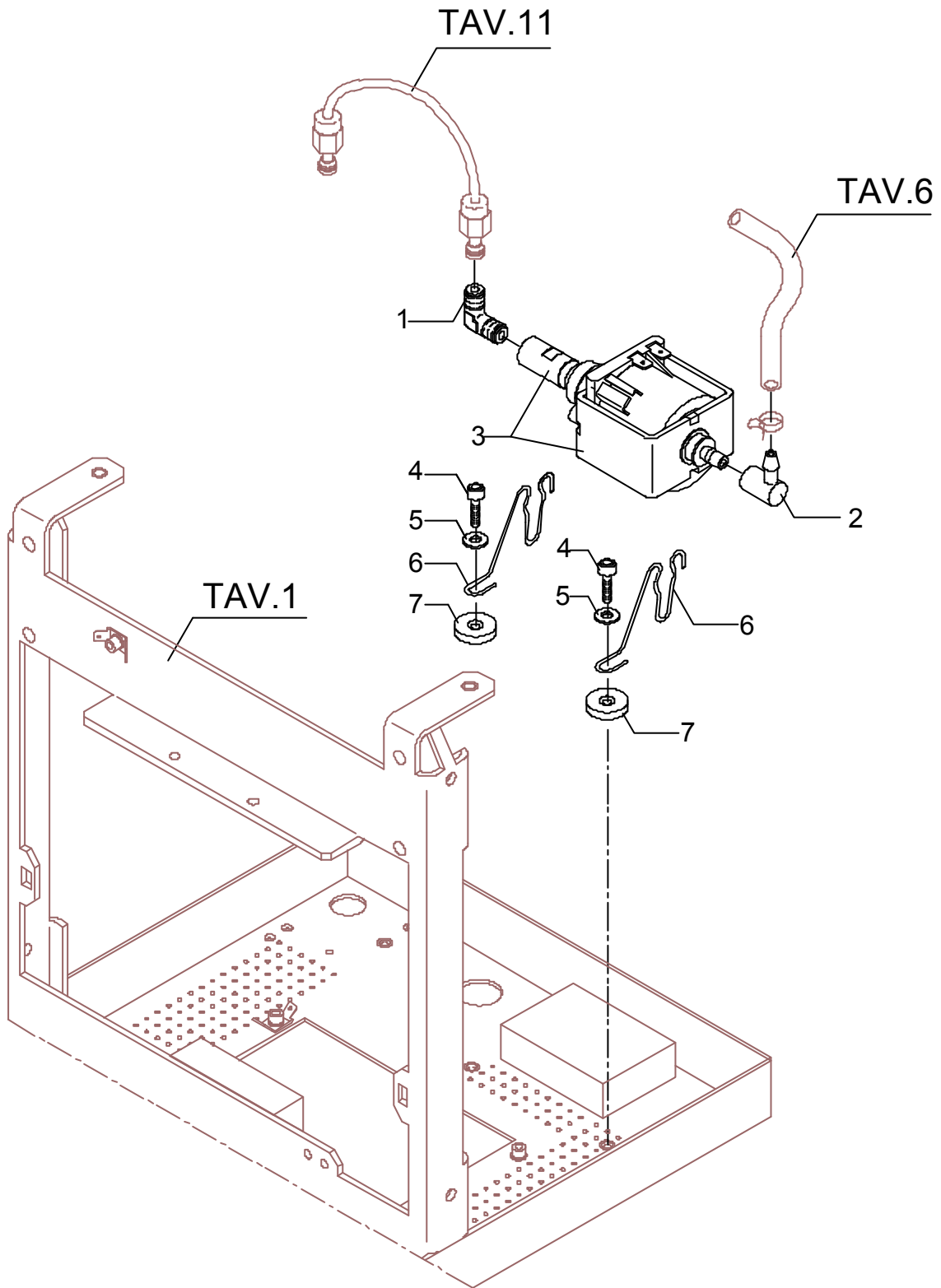
Tav. 06E (from 10.03.06)

POS	DESCRIPTION	CODE	REFERENCE
1	FILTER 1/4"G H43,5 PLASTIC	7374002	-
2	REDUCTION GEAR 1/4"G X M10 WITH GASKET	5225401	-
3	COUPLING SPRING	5471521.01	-
4	OR GASKET 112 70SH (UP TO 15.04.2006)	7496076	-
4	OR GASKET 115 EP856 (FROM 16.04.2006)	7496073	-
5	BALL 7/32" AISI 304	5471509	-
6	TANK WITH FASTON	7373006.01LL	-
8	GASKET-HOLDER D14.5 X 25 OT	5224617	-
10	NUT M20 H5 OT	5221830	-
11	ASSEMBLY TANK SUPPORT	5963017.02	-
12	ADHESIVE SPONGE 55X55X20	7499904LL	-
13	FITTING M20 H28.5 OT	5225228	-
14	SCREW TCI M3X30 UNI 6107 OT	7826206	-
15	FITTING 1/8"G CONIC ES.10 H33 OT	5225246	-
16	CLAMP	7611512	-
17	CRISTAL HOSE D5 X 8 L=135MM	5194569	-
18	SCREW TCEI M4X10	7816009	-
20	FLOW METER LOW PRESSURE	7431002	-
21	NUT M4 STAINLESS STEEL	7812601	-
22	WASHER D4 STAINLESS STEEL	7374004	-
23	SCREW TTEI M4X8	7819908	-
24	TANK SUPPORT SHAPED SPRING	5471535	-
25	SCREW TC M 3,5X8 PLASTITE	7809806	-
26	OR GASKET 112 70SH	7496076	-



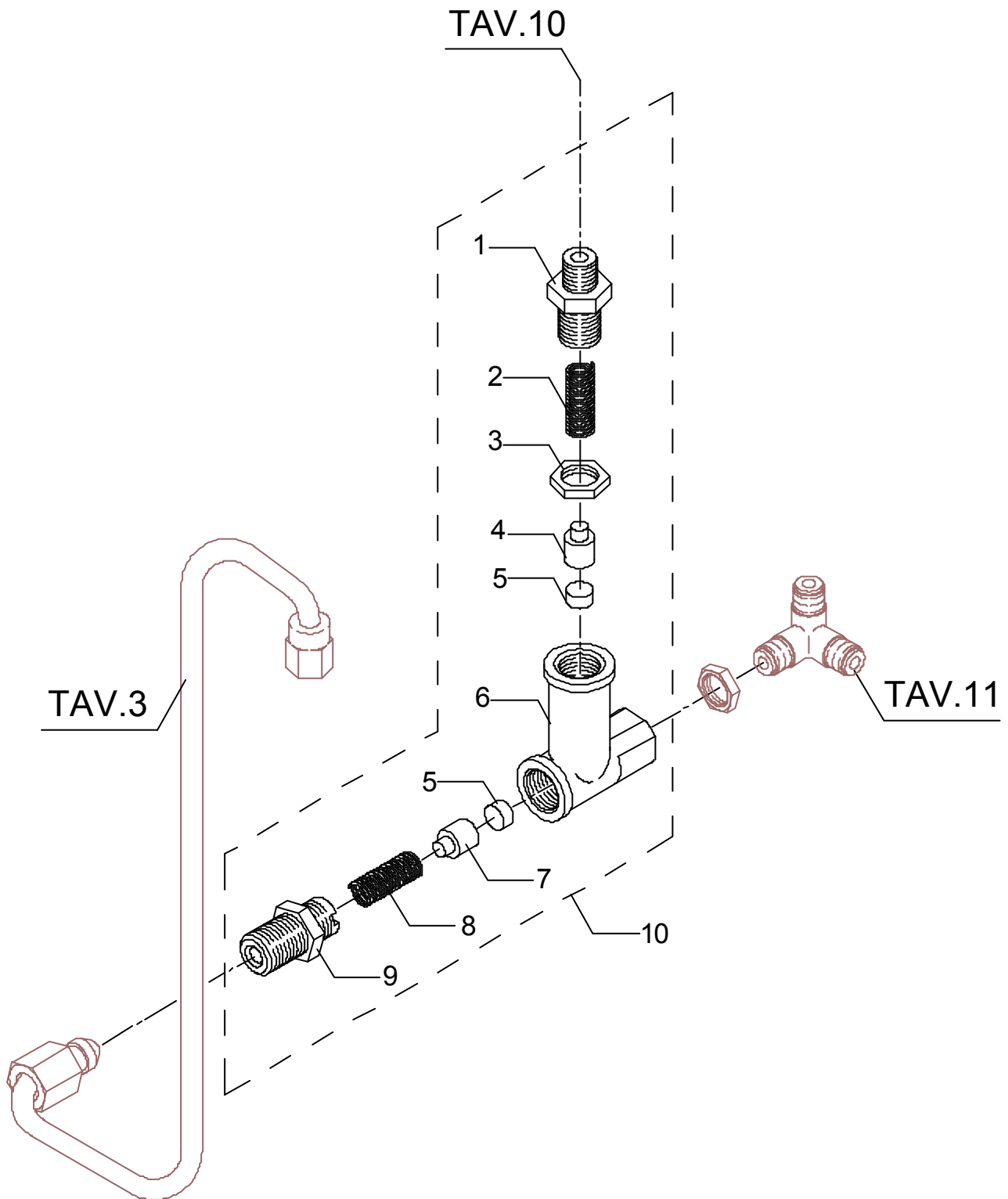
Tav. 07

POS	DESCRIPTION	CODE	REFERENCE
1	UNION ELBOW 1/8"G	7303001	-
2	RUBBER-HOLDER FITTING	7303006	-
3	VIBRATION PUMP 120V 60Hz	7731011	-
3	VIBRATION PUMP 230V 50HZ	7731009	-
3	VIBRATION PUMP 240V 50Hz	7731014	-
4	SCREW TCEI M4 X 12 UNI 5931 8.8 ZN	7806002	-
5	PLAIN WASHER D5 X 11 X 1	7805009	-
6	PUMP SUPPORT SHAPED SPRING AISI 302	5471534	-
7	TAP GASKET EPT 70SH	5493023	-



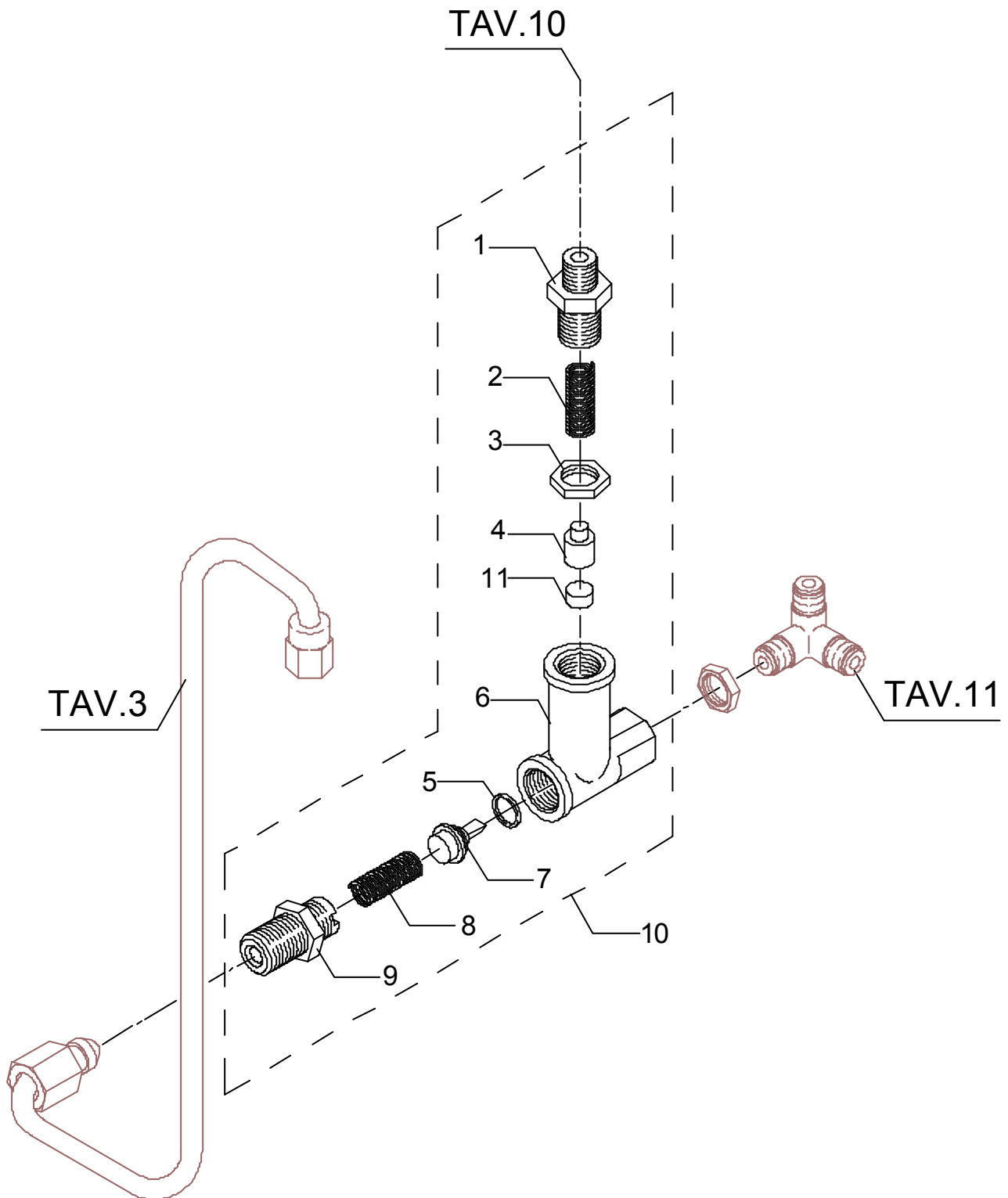
Tav. 08 (up to 01.07.06)

POS	DESCRIPTION	CODE	REFERENCE
1	STRAIGHT FITTING 1/8"G X M12 H29 OT	5302016	-
2	CALIBRATED SPRING D1.2 H26 AISI 302	5471506	-
3	NUT M12X1 H3,5	5221825	-
4	GASKET-HOLDER D5.3	5224609	-
5	GASKET D8 X 4 EPT 70SH	5493001	-
6	SURPRESSION VALVE BODY	5283027	-
7	GASKET-HOLDER D6.2	5224610	-
8	CALIBRATED SPRING D0.45 H22 AISI 302	5471505	-
9	STRAIGHT FITTING M12 H26.5 OT	5302017	-
10	ASSEMBLY COMPLETE SURPRESSION VALVE 14 BAR	5965032.01	-



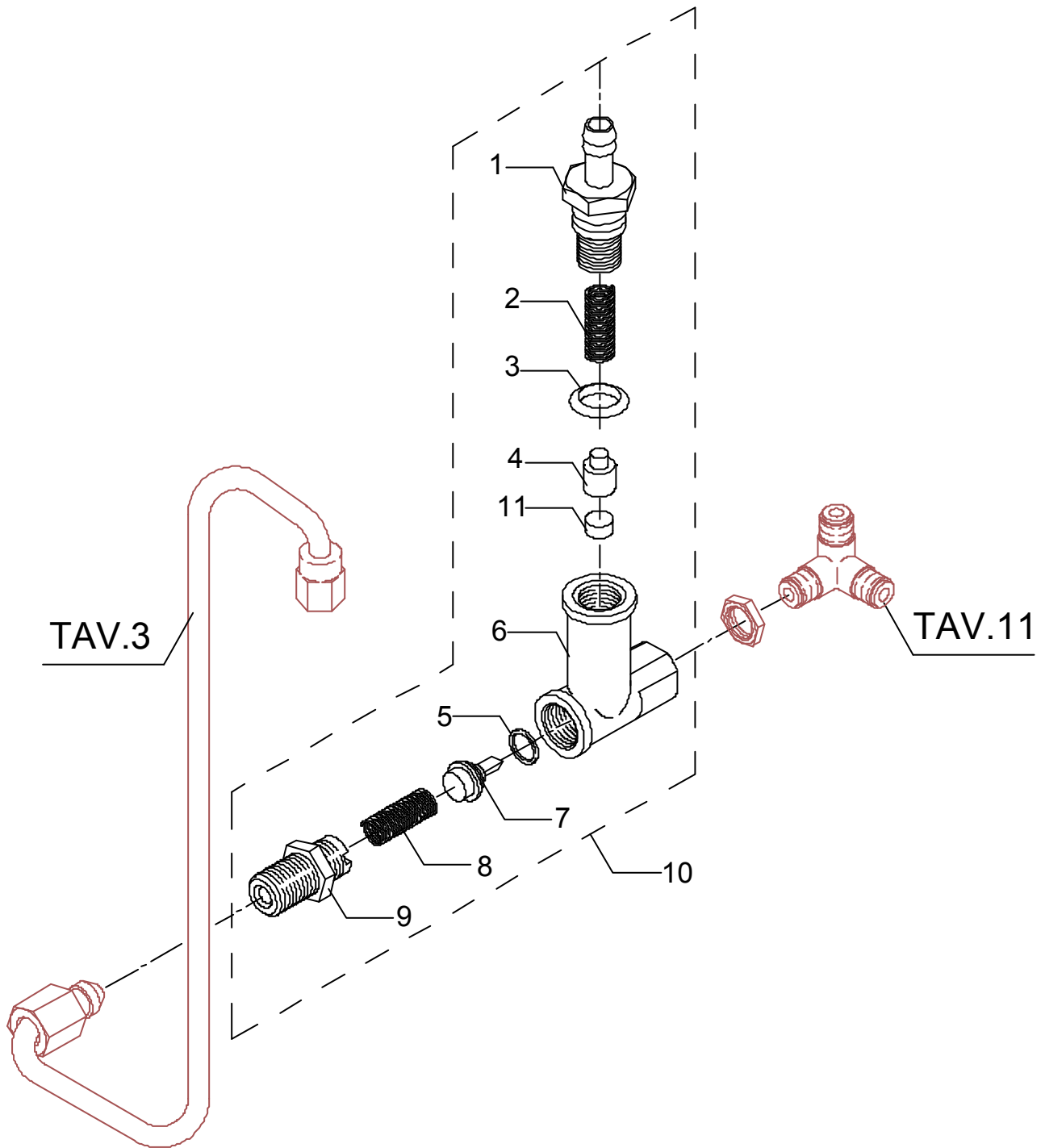
Tav. 08 (up to 30.09.08)

POS	DESCRIPTION	CODE	REFERENCE
1	STRAIGHT FITTING 1/8"G X M12 H29 OT	5302016	-
2	CALIBRATED SPRING D1.1 H32 AISI 302	5471506.01	-
3	NUT M12X1 H3,5	5221825	-
4	GASKET-HOLDER D5.3	5224609	-
5	OR GASKET 105 VITON	7496018	-
6	SURPRESSION VALVE BODY	5283041	-
7	GASKET-HOLDER	5224615	-
8	CALIBRATED SPRING D0.45 H22 AISI 302	5471505	-
9	STRAIGHT FITTING M12 H26.5 OT	5302017	-
10	ASSEMBLY COMPLETE SURPRESSION VALVE 14 BAR	5965032.02	-
11	GASKET D8 X 4 EPT 70SH	5493001	-



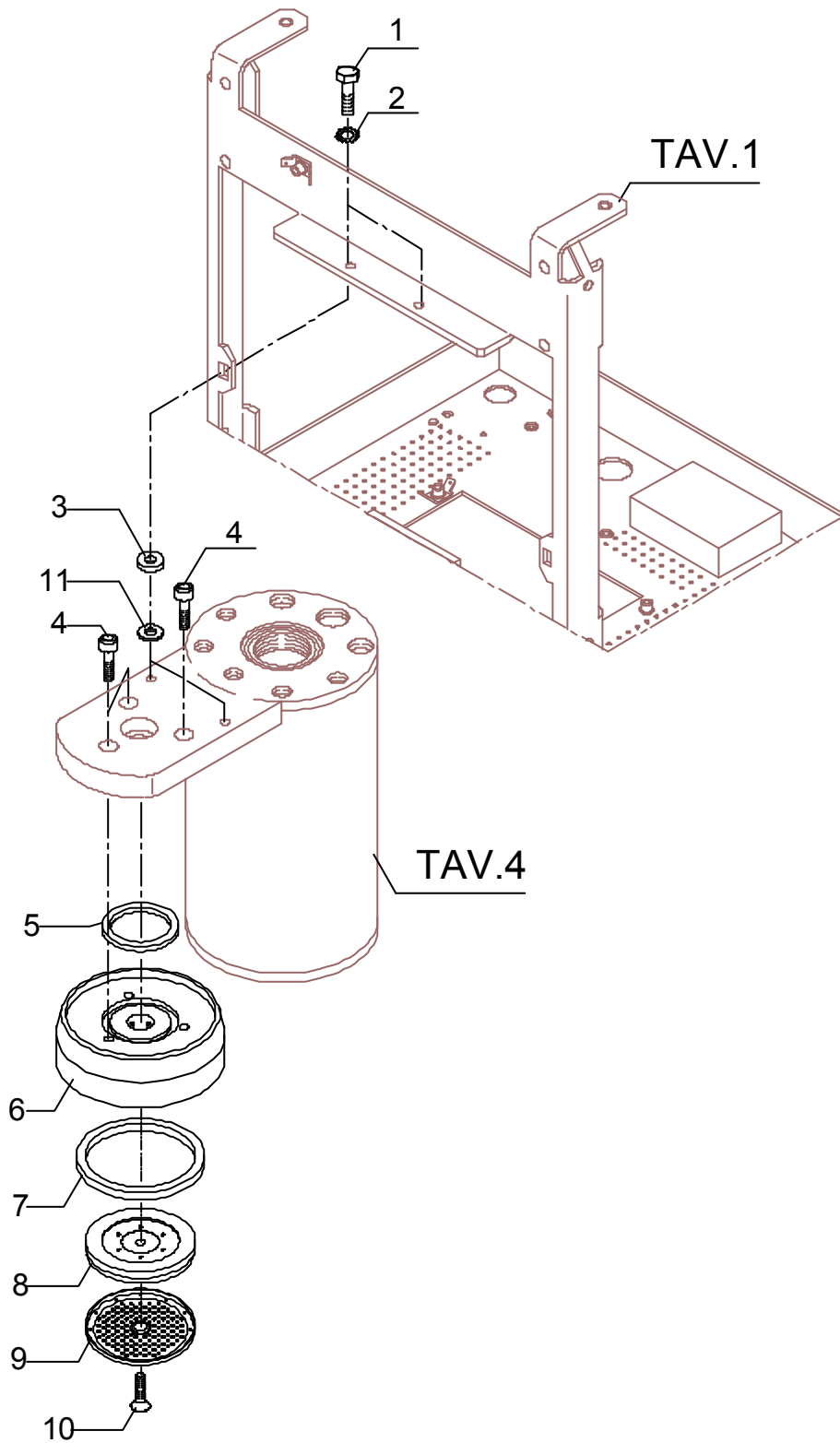
Tav. 08 (from 01.10.08)

POS	DESCRIPTION	CODE	REFERENCE
1	RUBBER-HOLDER FITTING	5302072	-
2	CALIBRATED SPRING D1. H32 AISI 302	5471506.01	-
3	OR GASKET 114 VITON	7496052	-
4	GASKET-HOLDER	5224619	-
5	OR GASKET 105 VITON	7496018	-
6	SURPRESSION VALVE BODY	5283049	-
7	GASKET-HOLDER	5224615	-
8	CALIBRATED SPRING D0.45 H22 AISI 302	5471505	-
9	STRAIGHT FITTING M12 H26.5 OT	5302017	-
10	ASSEMBLY COMPLETE SURPRESSION VALVE 14 BAR	5965165-14	-
11	GASKET D8 X 4 EPT 70SH	5493001	-



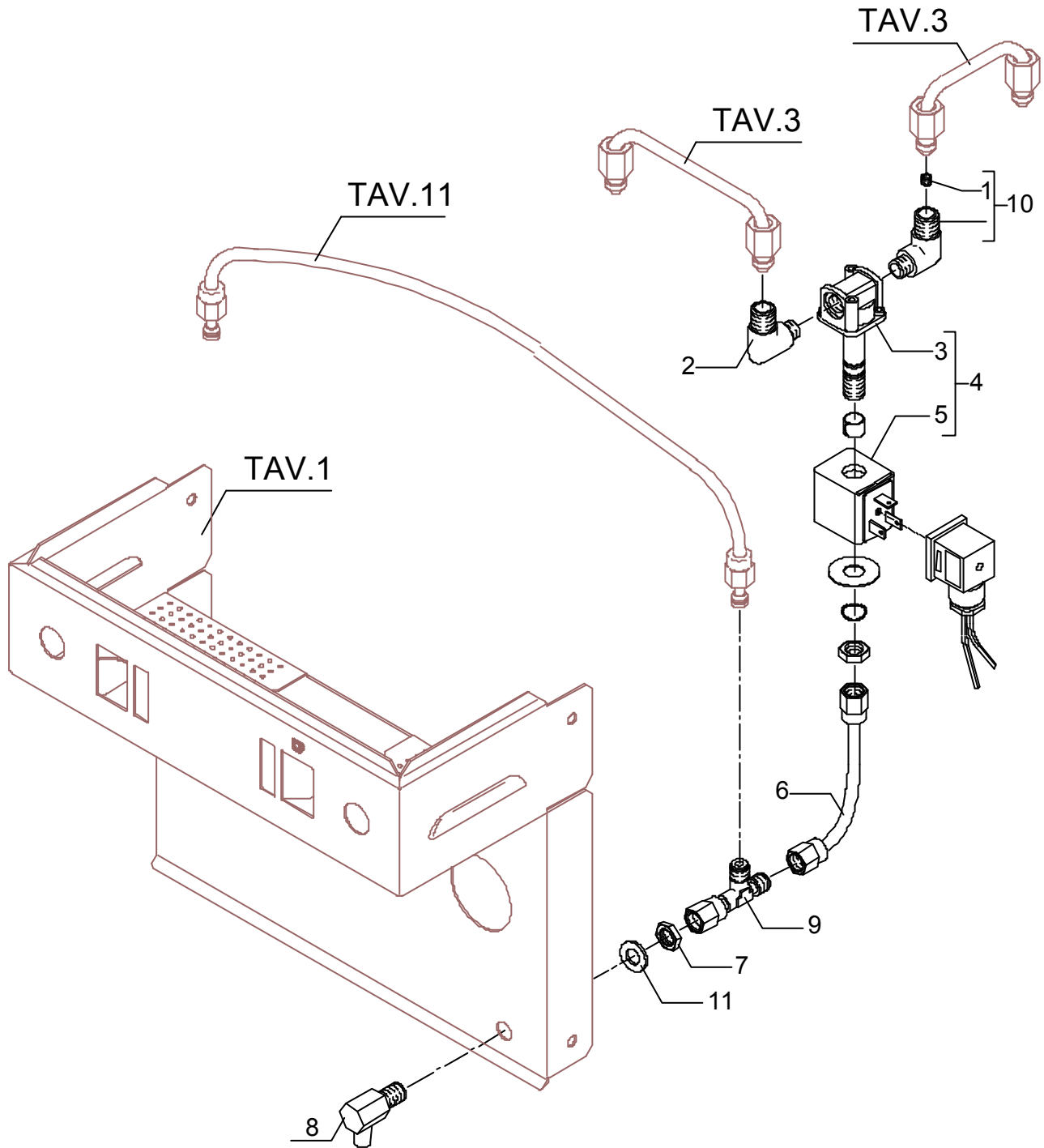
Tav. 09

POS	DESCRIPTION	CODE	REFERENCE
1	SCREW TE M6X12 UNI 5739 A2	7816416	-
2	FAN WASHER D6 DIN 6798A	7804002	-
3	GASKET D6.5	7492003	-
4	SCREW TCEI M5X12 UNI 5931 A2	7816001	-
5	OR GASKET 139 VITON	7496004	-
6	COUPLING RING CHROMED WITH FLAT GASKET	5280505CM	-
7	GASKET H 9,3 NBR 90SH	7493008	-
7	OR GASKET 160 VITON 70SH	7496047	-
8	SHOWER-HOLDER D57OT	5285501	-
9	SHOWER D51.9 WITH NET AISI 304 (OLD TYPE)	5470504	-
9	SHOWER D57 AISI 304	5470501	-
10	SCREW TPS M5X12 DIN 963 A2 (OLD TYPE)	7817007	-
10	SCREW TPS M5X16 DIN 963 A2	7817001	-
11	PLAIN WASHER D6 UNI 6592 FEZN	7805004	-



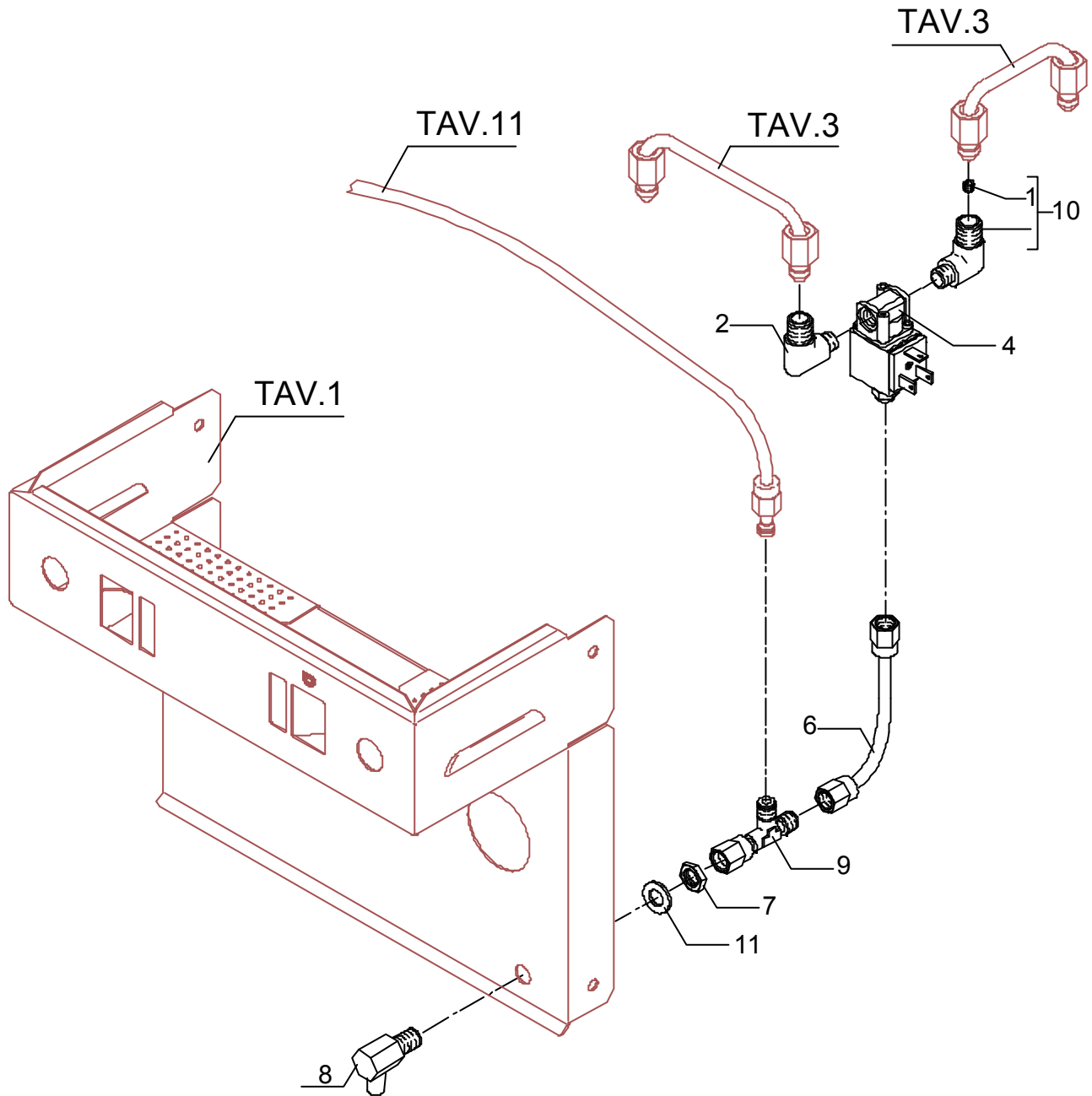
Tav.10 (up to 11.05.09)

POS	DESCRIPTION	CODE	REFERENCE
1	JET M6 X 6 HOLE D1.2 OT	5223005	-
2	UNION ELBOW 1/8"G X M12 OT	5301504	-
3	SOLENOID VALVE WITHOUT COIL PARKER	7703014	-
4	SOLENOID VALVE 3 WAY 115V PARKER	7701112	-
4	SOLENOID VALVE 3 WAY 230V PARKER	7702311	-
4	SOLENOID VALVE 3 WAY 240V PARKER	7702410	-
5	SOLENOID VALVE COIL 115V PARKER	7630332	-
5	SOLENOID VALVE COIL 230V PARKER	7630331	-
5	SOLENOID VALVE COIL 240V PARKER	7630330	-
6	SOLENOID VALVE DRAIN HOSE	5194558LL	-
7	NUT 1/8"G H3	5221844	-
8	DRAIN FITTING FOR SURPRESSION VALVE 1/8"G CHROMED	5283018CM	-
9	ASSEMBLY BANJO UNION	5973055	-
10	ASSEMBLY UNION ELBOW WITH JET	5973051	-
11	WASHER D10 UNI 6592 A2	7815001	-



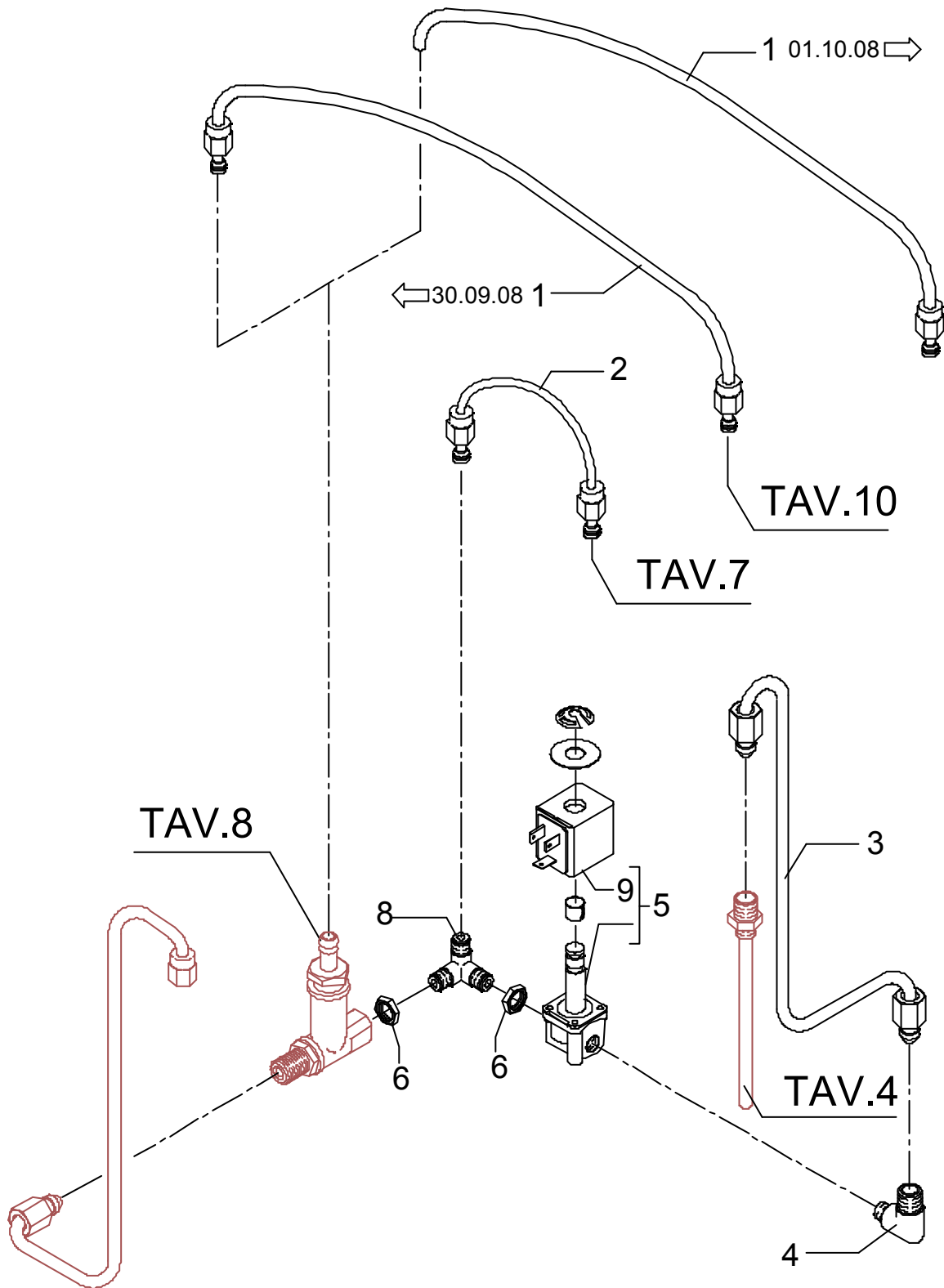
Tav.10 (from 12.05.09)

POS	DESCRIPTION	CODE	REFERENCE
1	JET M6 X 6 HOLE D1.2 OT	5223005	-
2	UNION ELBOW 1/8"G X M12 OT	5301504	-
4	SOLENOID VALVE 3 WAY 115V ODE	7701117	-
4	SOLENOID VALVE 3 WAY 230V ODE	7702316	-
4	SOLENOID VALVE 3 WAY 240V ODE	7702411	-
6	SOLENOID VALVE DRAIN HOSE	5194558LL	-
7	NUT 1/8"G H3	5221844	-
8	DRAIN FITTING FOR SURPRESSION VALVE 1/8"G CHROMED	5283018CM	-
9	ASSEMBLY BANJO UNION	5973055	-
10	ASSEMBLY UNION ELBOW WITH JET	5973051	-
11	WASHER D10 UNI 6592 A2	7815001	-



Tav. 11

POS	DESCRIPTION	CODE	REFERENCE
1	SURPRESSION VALVE DRAIN HOSE (UP TO 30.09.08)	5194526LL	-
1	SURPRESSION VALVE DRAIN HOSE (FROM 01.10.08)	5194526.01LL	-
2	PUMP-SOLENOID VALVE HOSE	5194527LL	-
3	BOILER LOAD HOSE	5162052LL	-
4	UNION ELBOW 1/8"G X M12 OT	5301504	-
5	SOLENOID VALVE 2 WAY 115V PARKER	7701111	-
5	SOLENOID VALVE 2 WAY 230V PARKER	7702310	-
5	SOLENOID VALVE 2 WAY 240V PARKER	7702409	-
6	NUT 1/8"G H3	5221844	-
8	FITTING 3 WAY 1/8" X 1/8"G OT	7304505	-
9	SOLENOID VALVE COIL 110V PARKER	7630327	-
9	SOLENOID VALVE COIL 220/230V PARKER	7630328	-
9	SOLENOID VALVE COIL 240V PARKER	7630329	-



Tav. 12

POS	DESCRIPTION	CODE	REFERENCE
1	COFFEE-PRESS ABS	5373001	-
2	MEASURER ABS	5372101	-
3	BLIND FILTER	5471003	-
4	FILTER 1 CUP 5 GRAMS	5471010	-
4	FILTER 1 CUP 5 GRAMS WITH RUN CHANNEL	5471023	-
4	FILTER 1 CUP 6 GRAMS	5471004	-
4	FILTER 1 CUP 6 GRAMS WITH RUN CHANNEL	5471020	-
5	FILTER 2 CUPS 12 GRAMS	5471007	-
5	FILTER 2 CUPS 12 GRAMS WITH RUN CHANNEL	5471021	-
5	FILTER 2 CUPS 14 GRAMS	5471009	-
5	FILTER 2 CUPS 14 GRAMS WITH RUN CHANNEL	5471026	-
6	ASSEMBLY FILTER-HOLDER WITHOUT SPOUT	5975506.01	-
7	SHAPED SPRING D1.2 AISI 302	5471527	-
8	FILTER-HOLDER D62	5286007.01CM	-
9	FILTER-HOLDER KNOB	7371514	-
10	SPOUT 1 WAY	7305006	-
10	SPOUT 1 WAY SHORT	7288505	-
11	SPOUT 2 WAY	7305007	-
11	SPOUT 2 WAY SHORT	7288501	-
12	ASSEMBLY COMPLETE FILTER-HOLDER 1 CUP	5975509.01	-
12	COMPLETE FILTER-HOLDER 1 CUP WITH 7288505 (PASQUINI)	5975508.01	-
13	ASSEMBLY COMPLETE FILTER-HOLDER 2 CUPS	5975510.01	-
13	ASSEMBLY COMPL. FILTER-HOLDER 2 CUPS WITH 7288501 (PASQUINI)	5975507.01	-
14	PLUG	5373915	-

